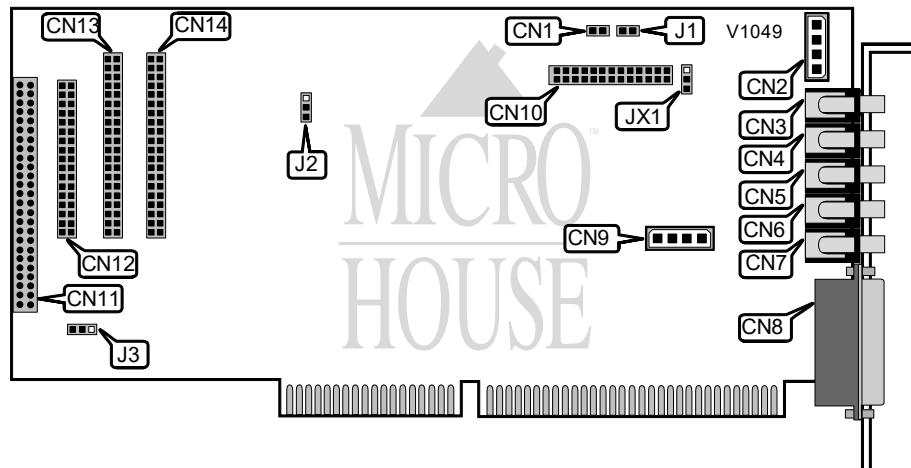


AZTECH LABS, INC. SOUND GALAXY ORION 16

Card Type	Sound
Chipset Controller	Unidentified
I/O Options	CD-ROM interface (3), SCSI/FM radio in, CD Audio in, game/MIDI port, Line in, Speaker out(2), Multimedia PC speaker out, PC speaker in, Microphone jack, Wave table interface, Antenna
Maximum DRAM	N/A



CONNECTIONS			
Purpose	Location	Purpose	Location
PC speaker in	CN1	Game/MIDI port	CN8
CD audio in	CN2	Multimedia PC speaker out	CN9
Antenna	CN3	Wave table interface	CN10
Line in	CN4	SCSI/FM radio interface	CN11
Microphone	CN5	Sony CD-ROM	CN12
Speaker out	CN6	Mitsumi/Aztech CD-ROM	CN13
Speaker out	CN7	Panasonic CD-ROM	CN14

PC SPEAKER AMPLIFICATION	
Setting	J1
Low amplification	Open
High amplification	Closed

MICROPHONE TYPE	
Type	JX1
Condenser	Pins 1 & 2 closed
Carbon	Pins 2 & 3 closed

Continued next page...

AZTECH LABS, INC.
SOUND GALAXY ORION 16

... continued from previous page.

EEPROM	
Setting	J2
i Enabled	Pins 1 & 2 closed
Disabled	Pins 2 & 3 closed

I/O BASE ADDRESS	
Address	J3
i 220h - 22Fh	Pins 1 & 2 closed
240h - 24Fh	Pins 2 & 3 Closed