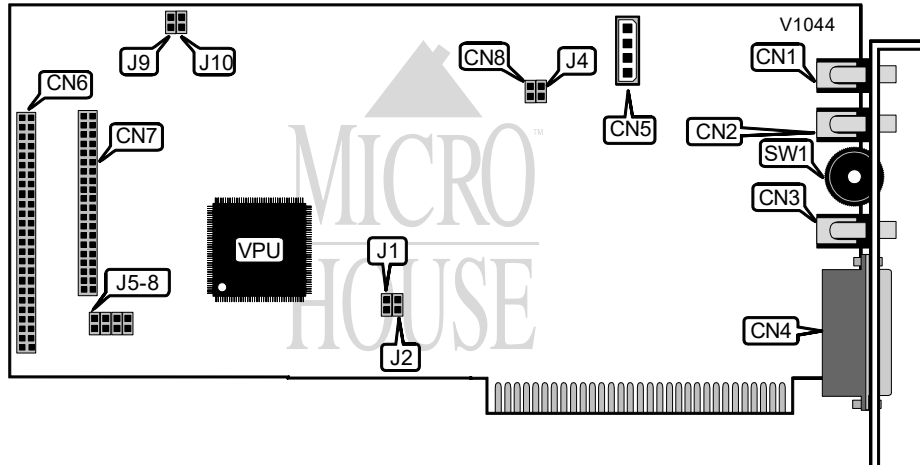


AZTECH LABS, INC. SOUND GALAXY NX STEREO PRO

Card Type Sound
Chipset Controller Aztech AZTSSPT0592
I/O Options CD-ROM interface (2), CD Audio in, game/MIDI port, Line in, Speaker out
 Microphone jack, Line out, Volume control
Maximum DRAM N/A



CONNECTIONS			
Purpose	Location	Purpose	Location
Line in	CN1	SCSI CD-ROM	CN6
Microphone	CN2	AT CD-ROM	CN7
Line out	CN3	PC speaker out	CN8
Game/MIDI port	CN4	Volume	SW1
CD audio in	CN5		

PC SPEAKER AMPLIFICATION	
Setting	J4
Low amplification	Open
High amplification	Closed

VIRTUAL PARALLEL PORT		
Setting	J1	J2
Enabled	Closed	Closed
Disabled	Open	Open

Note: Address of virtual parallel port is 278h

Continued next page...

AZTECH LABS, INC.
 SOUND GALAXY NX STEREO PRO

... continued from previous page.

INTERRUPT SELECTION				
IRQ	J5	J6	J7	J8
12	Open	Open	Closed	Open
4	Closed	Open	Open	Open
11	Open	Closed	Open	Open
15	Open	Open	Open	Closed

BASE MEMORY ADDRESS		
Address	J9	J10
CA000h	Open	Open
C8000h	Open	Closed
CE000h	Closed	Open
DE000h	Closed	Closed