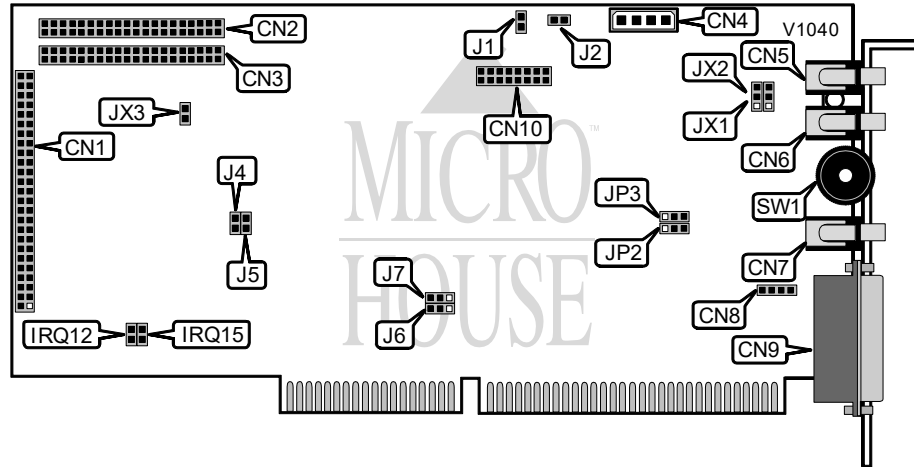


# AZTECH LABS, INC. SOUND GALAXY NX PRO 16

**Card Type** Sound  
**Chipset Controller** Unidentified  
**I/O Options** CD-ROM interface (2), CD Audio in, game/MIDI port, Line in, Speaker out  
 Microphone jack, Wave table synthesis interface, Volume control  
**Maximum DRAM** N/A



CONNECTIONS			
Purpose	Location	Purpose	Location
SCSI extension board	CN1	Speaker out	CN7
Mitsumi CD-ROM	CN2	Multimedia PC speaker	CN8
Panasonic CD-ROM	CN3	Game/MIDI port	CN9
CD audio in	CN4	Wave table interface	CN10
Line in	CN5	Volume	SW1
Microphone	CN6		

AUDIO LINE OUT			
Amplifier	JP2		JP3
Internal	Pins 1 & 2 closed		Pins 1 & 2 closed
External	Pins 2 & 3 closed		Pins 2 & 3 closed

MICROPHONE TYPE			
Type	JX1		JX2
Condenser	Pins 1 & 2 closed		Pins 1 & 2 closed
Carbon	Pins 2 & 3 closed		Pins 2 & 3 closed

Continued next page...

AZTECH LABS, INC.  
SOUND GALAXY NX PRO 16

... continued from previous page.

FACTORY DEFAULT SETTING	
Setting	JX3
í Normal operation	Open
Reset hardware settings to factory defaults	Closed

MITSUMI CD-ROM INTERRUPT		
IRQ	IRQ12	IRQ15
IRQ12	Closed	Open
IRQ15	Open	Closed

PC SPEAKER AMPLIFICATION	
Setting	J1
í Low amplification	Open
High amplification	Closed

VIRTUAL PARALLEL PORT		
Setting	J4	J5
í Enabled	Closed	Closed
Disabled	Open	Open

Note: Address of virtual parallel port is 278h

WAVE TABLE ADDRESS		
Address	J6	J7
530h	Pins 1 & 2 closed	Pins 1 & 2 closed
E80h	Pins 1 & 2 closed	Pins 2 & 3 closed
F40h	Pins 2 & 3 closed	Pins 1 & 2 closed
604h	Pins 2 & 3 closed	Pins 2 & 3 closed