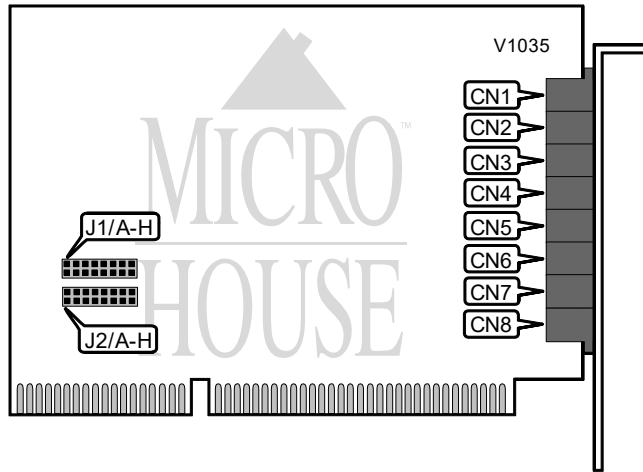


BOCA RESEARCH, INC.
BB1004/BB1008

Card Type	16-bit ISA
Chipset Controller	Unidentified
I/O Options	Asynchronous serial ports (4 or 8)
Maximum DRAM	N/A



CONNECTIONS			
Purpose	Location	Purpose	Location
Serial port 1	CN1	Serial port 5	CN5
Serial port 2	CN2	Serial port 6	CN6
Serial port 3	CN3	Serial port 7	CN7
Serial port 4	CN4	Serial port 8	CN8

Continued next page...

