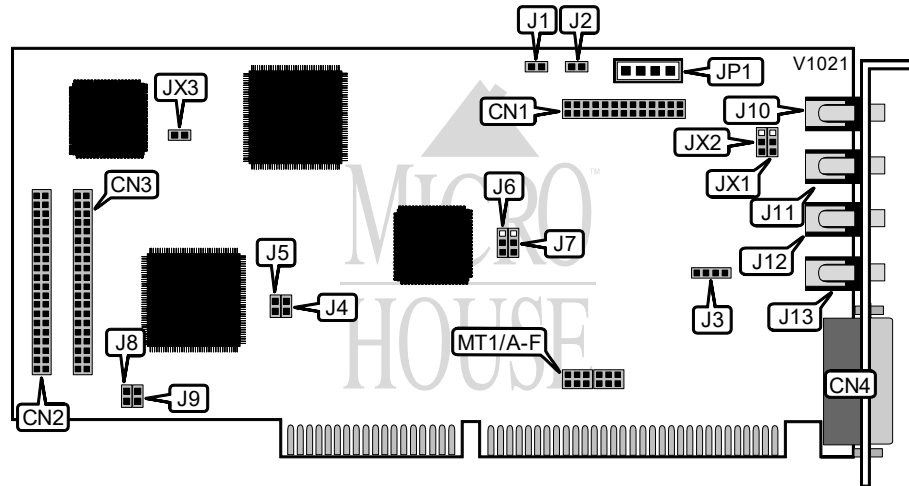


AZTECH LABS, INC. SOUND GALAXY BASIC 16

Card Type Sound card
Chipset Controller Unidentified
I/O Options CD audio in, CD-ROM interface (2), game/MIDI port, line in, line out, microphone in, phone in, speaker connector (2), wavetable interface
Maximum DRAM N/A



CONNECTIONS			
Purpose :	Location	Purpose :	Location
Wavetable interface	CN1	Line in	J10
Mitsumi CD-ROM interface	CN2	Microphone in	J11
Panasonic CD-ROM interface	CN3	Line out	J12
Game/MIDI port	CN4	Phone in	J13
PC speaker connector	J2	CD audio in	JP1
MPC speaker connector	J3		

MICROPHONE TYPE CONFIGURATION		
Type	JX1	JX2
Condenser microphone	Pins 1 & 2 closed	Pins 1 & 2 closed
Carbon microphone	Pins 2 & 3 closed	Pins 2 & 3 closed

MITSUMI CD-ROM INTERRUPT SELECTION		
IRQ	J8	J9
15	Open	Closed
12	Closed	Open

Continued next page...

AZTECH LABS, INC.
SOUND GALAXY BASIC 16

... continued from previous page.

MITSUMI CD-ROM DMA CHANNEL SELECTION						
Channel	MT1/A	MT1/B	MT1/C	MT1/D	MT1/E	MT1/F
í 1	Open	Closed	Open	Open	Closed	Open
0	Closed	Open	Open	Closed	Open	Open
3	Open	Open	Closed	Open	Open	Closed

SPEAKER AMPLIFIER CONFIGURATION	
Setting	J1
í Low	Open
High	Closed

VIRTUAL PARALLEL PORT CONFIGURATION		
Setting	J4	J5
í Enabled (278h)	Closed	Closed
Disabled	Open	Open

WAVETABLE BASE I/O ADDRESS SELECTION		
Address	J6	J7
í 530h	Pins 1 & 2 closed	Pins 1 & 2 closed
E80h	Pins 1 & 2 closed	Pins 2 & 3 closed
F40h	Pins 2 & 3 closed	Pins 1 & 2 closed
604h	Pins 2 & 3 closed	Pins 2 & 3 closed

HARDWARE RESET CONIFIGURATION	
Setting	JX3
í Software saved in EEPROM	Closed
Systems power-up with default settings	Open