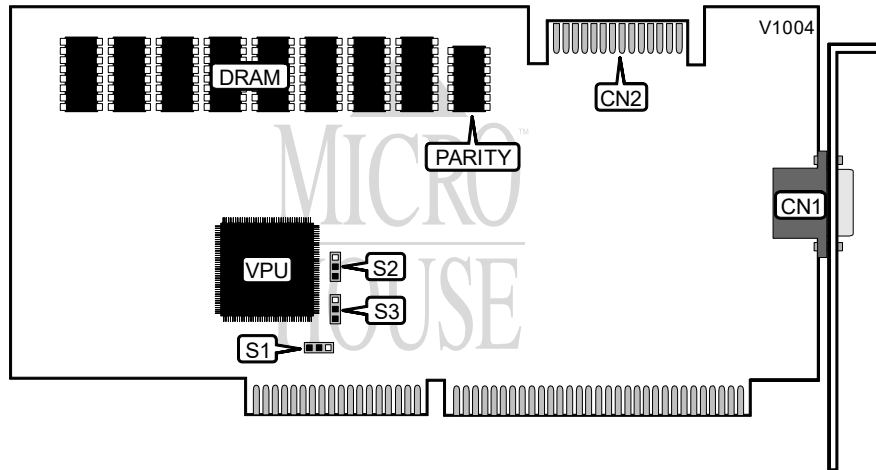


# NEC TECHNOLOGIES, INC. VIDEO GRAPHICS BOARD (G8BYL)

Category	Video
Video Types Supported	XVGA
Video Processor	Texas Instruments
Highest Resolution Supported	800 x 600
Data Bus Type	16-bit ISA
Memory Type	DRAM
Maximum Onboard Memory	256KB



CONNECTIONS			
Purpose	Location	Purpose	Location
15-pin analog video port	CN1	VGA feature connector	CN2

OSCILLATOR SELECTION	
Setting	S1
High-resolution oscillator	Pins 1 & 2 closed
External oscillator	Pins 2 & 3 closed

BIOS ROM SELECTION	
Setting	S2
16-bit	Pins 1 & 2 closed
8-bit	Pins 2 & 3 closed

BUS TYPE DATA TRANSFER SELECTION	
Setting	S3
Enabled (16-bit)	Pins 2 & 3 closed
Disabled (8-bit)	Pins 1 & 2 closed