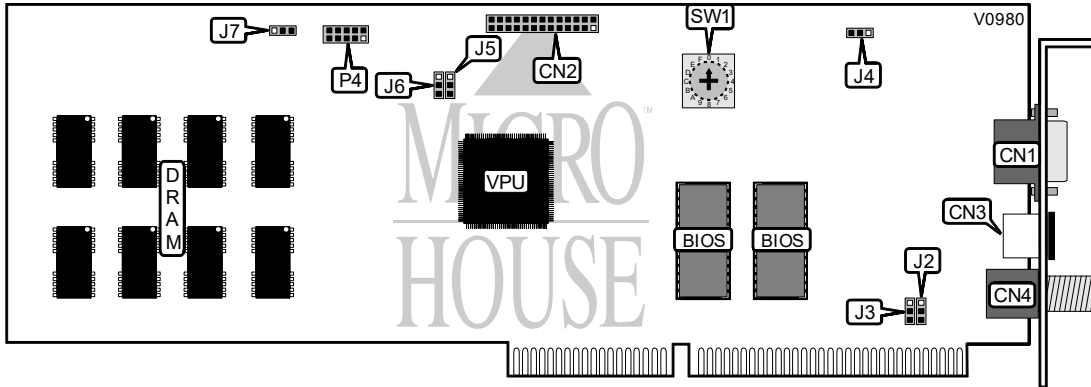


STB SYSTEMS, INC. CHANNEL ONE

Category	Video
Video Types Supported	XVGA
Video Processor	Unidentified
Highest Resolution Supported	1280 x 1024
Data Bus Type	16-bit ISA
Memory Type	DRAM
Maximum Onboard Memory	1MB



CONNECTIONS			
Purpose	Location	Purpose	Location
15-pin analog video port	CN1	Coax connector	CN4
VGA feature connector	CN2	Refresh signal synchronization connector	P4
S-video connector	CN3		

ZERO WAIT-STATE MEMORY SELECTION	
Setting	J2
Disabled	Pins 2 & 3 closed
Enabled	Pins 1 & 2 closed

INTERRUPT SELECTION	
IRQ 2	J3
Disabled	Pins 2 & 3 closed
Enabled	Pins 1 & 2 closed

COLOR TYPE SELECTION	
Type	J4
Color	Pins 1 & 2 closed
Mono	Pins 2 & 3 closed

Continued on next page...

STB SYSTEMS, INC.
CHANNEL ONE

...continued from previous page

ZERO WAIT-STATE BIOS SELECTION	
Setting	J5
Disabled	Pins 2 & 3 closed
Enabled	Pins 1 & 2 closed

BIOS INTERFACE SELECTION	
Setting	J6
8-bit	Pins 2 & 3 closed
16-bit	Pins 1 & 2 closed

CRYSTAL FREQUENCY SELECTION	
Setting	J7
Master	Pins 1 & 2 closed
Slave	Pins 2 & 3 closed

BOARD IDENTIFICATION SELECTION	
Dial switch block SW1 on each adapter determines the board number and I/O address selection.	