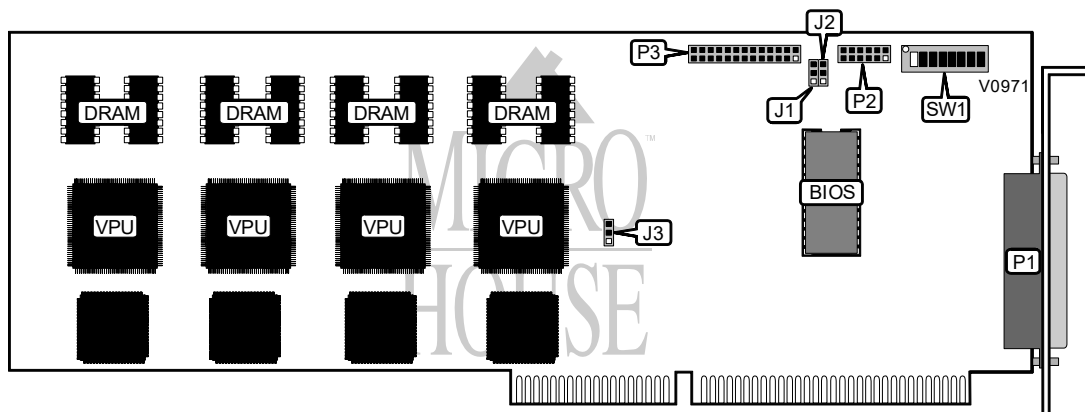


# STB SYSTEMS, INC. MVP - 4X ADAPTER

Category	Video
Video Types Supported	XVGA
Video Processor	Unidentified
Highest Resolution Supported	1024 x 768
Data Bus Type	16-bit ISA
Memory Type	DRAM
Maximum Onboard Memory	4MB (1MB of on-board DRAM per port)



CONNECTIONS			
Purpose	Location	Purpose	Location
37-pin cable connector	P1	VGA feature connector	P3
Refresh signal synchronization connector	P2		

CRYSTAL FREQUENCY SELECTION	
Setting	J1
Master	Pins 1 & 2 closed
Slave	Pins 2 & 3 closed

MONOCHROME SUPPORT CONFIGURATION	
Setting	J3
Off	Pins 2 & 3 closed
On	Pins 1 & 2 closed

Continued on next page...

STB SYSTEMS, INC.  
MVP - 4X ADAPTER

...continued from previous page

BASE I/O ADDRESS SELECTION			
Address	Board	SW1/2	SW1/3
C3C3h	1	Off	Off
C3C3h	2	Off	On
CBC3h	3	On	Off
CBC3h	4	On	On

FACTORY CONFIGURED - DO NOT ALTER	
Jumper/Switch	Position
J2	Pins 2 & 3 closed
SW1/1	Off
SW1/4	Off
SW1/5	Off
SW1/6	Off
SW1/7	Off
SW1/8	Off