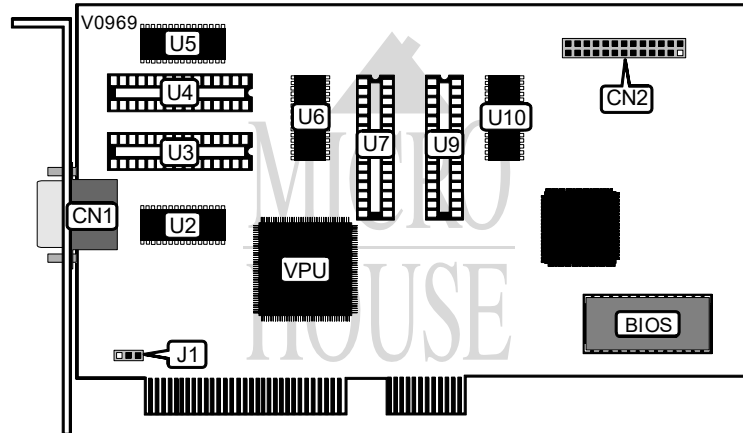


STB SYSTEMS, INC.
LIGHTSPEED PCI (REV. A)

Category	Video
Video Types Supported	XVGA
Video Processor	Unidentified
Highest Resolution Supported	1280 x 1024
Data Bus Type	32-bit PCI
Memory Type	DRAM
Maximum Onboard Memory	2MB



CONNECTIONS			
Purpose	Location	Purpose	Location
15-pin analog video port	CN1	VGA feature connector	CN2

INTERRUPT SELECTION	
IRQ 2	J1
Enabled	Pins 1 & 2 closed
Disabled	Pins 2 & 3 closed

DRAM CONFIGURATION		
Size	Bank 0 (U2 & U5 U6 & U10)	Bank 1 (U3 & U4 U7 & U9)
1MB	(4) 256K x 8	NONE
2MB	(4) 256K x 8	(4) 256K x 8