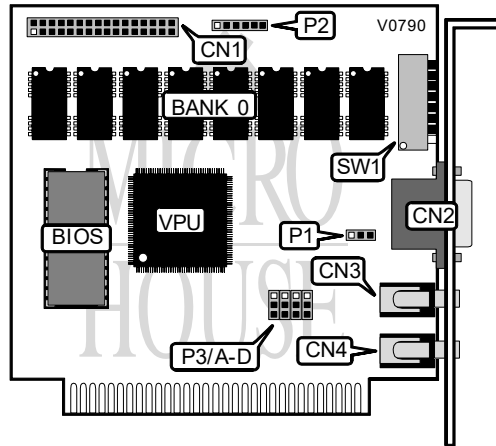


UNIDENTIFIED EG-3000

Category	Video
Video Types Supported	EGA
Video Processor	Unidentified
Highest Resolution Supported	800 x 600
Data Bus Type	8-bit ISA
Memory Type	DRAM
Maximum Onboard Memory	256KB



CONNECTIONS			
Purpose	Location	Purpose	Location
32-pin feature connector	CN1	Composite display - RCA jack	CN4
9-pin digital video port	CN2	Light pen connector	P2
Composite display - RCA jack	CN3		

MONITOR TYPE	
Setting	P1
EGA	Pins 1 & 2 closed
CGA or monochrome	Pins 2 & 3 closed

I/O ADDRESS	
Address	P3/jumper A
3XXh	Pins 1 & 2 closed
2XXh	Pins 2 & 3 closed

AUTOMODE - P3		
Setting	Jumper 3	Jumper 3
Disabled	Pins 2 & 3 closed	Pins 1 & 2 closed
Enabled	Pins 1 & 2 closed	Pins 2 & 3 closed

Continued on next page. . .

UNIDENTIFIED
EG-3000

...continued from previous page

PC SLOT 8	
Setting	P3/jumper C
Card not installed in Slot 8	Pins 1 & 2 closed
Card installed in Slot 8	Pins 2 & 3 closed

PRIMARY ADAPTER SETTINGS					
Primary	Secondary	SW1/1	SW1/2	SW1/3	SW1/4
640 x 350	Monochrome	Off	On	On	Off
40 x 25 text	Monochrome	On	Off	Off	On
80 x 25 text	Monochrome	Off	Off	Off	On
640 x 200	Monochrome	On	On	On	Off
Monochrome	40 x 25 text	On	Off	On	Off
Monochrome	80 x 25 text	Off	Off	On	Off

SECONDARY ADAPTER SETTINGS					
Secondary	Primary	SW1/1	SW1/2	SW1/3	SW1/4
40 x 25 text	Monochrome	On	On	On	On
80 x 25 text	Monochrome	Off	On	On	On
640 x 200	Monochrome	On	Off	On	On
640 x 350	Monochrome	Off	Off	On	On
Monochrome	40 x 25 text	On	On	Off	On
Monochrome	80 x 25 text	Off	On	Off	On

MONITOR TYPE		
Setting	SW1/7	SW1/8
EGA	On	On
CGA	On	Off
Monochrome	Off	On

FACTORY CONFIGURED SETTINGS	
Switch	Setting
SW1/7	Off
SW1/8	Off