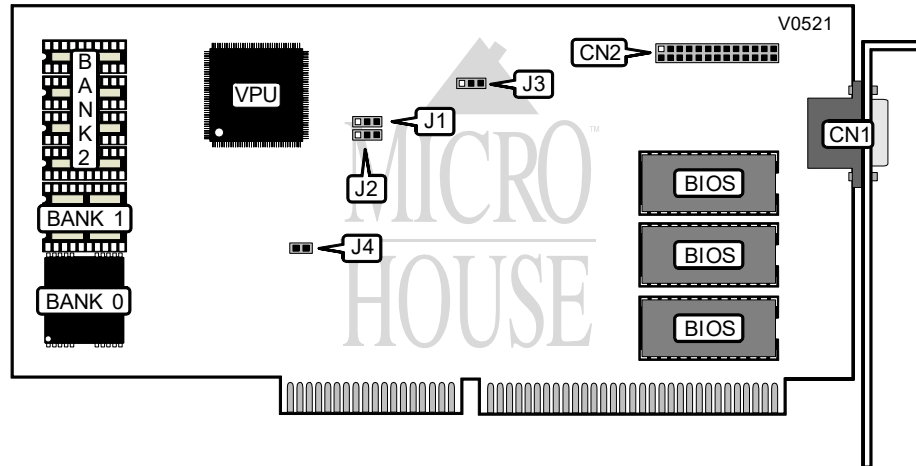


INFORMTECH INTERNATIONAL, INC.

IT-VGA2

Category	Video
Video Types Supported	XVGA
Video Processor	Tseng Laboratories
Highest Resolution Supported	1024 x 768
Data Bus Type	16-bit ISA
Memory Type	DRAM
Maximum Onboard Memory	1MB



CONNECTIONS			
Purpose	Location	Purpose	Location
15-pin analog video port	CN1	VESA feature connector	CN2

BIOS ADDRESS	
Address Range	J1
í C0000h - C7FFFh	Pins 2 & 3 closed
C0000h - DFFFFh	Pins 1 & 2 closed

EARLY #MEMCS	
Setting	J2
í Enabled	Pins 1 & 2 closed
Disabled	Pins 2 & 3 closed

PIXEL CLOCK DELAY	
Setting	J3
í Normal	Pins 1 & 2 closed
20ns delay	Pins 2 & 3 closed

Continued on next page . . .

INFORMTECH INTERNATIONAL, INC.
IT-VGA2

... continued from previous page

INTERRUPT REQUEST	
IRQ9	J4
Disabled	Open
Enabled	Closed

VIDEO MEMORY CONFIGURATION			
Size	Bank 0	Bank 1	Bank 2
256KB	(2) 256K x 4	NONE	NONE
512KB	(2) 256K x 4	(2) 256K x 4	NONE
1MB	(2) 256K x 4	(2) 256K x 4	(4) 256K x 4