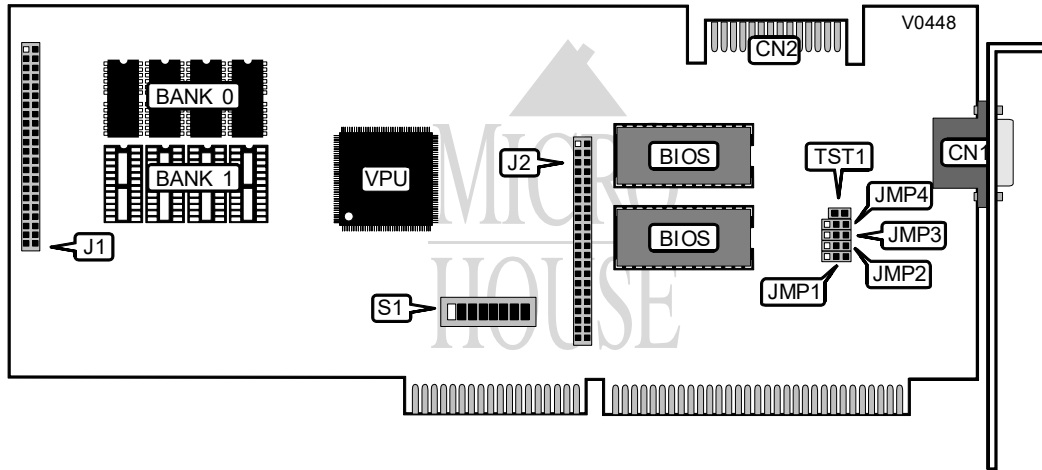


SPEA SOFTWARE AG V7 FASTWRITE VGA

Category	Video
Video Types Supported	CGA, VGA, XVGA
Video Processor	Unidentified
Highest Resolution Supported	800 x 600
Data Bus Type	16-bit ISA
Memory Type	DRAM
Maximum Onboard Memory	512KB



CONNECTIONS			
Purpose	Location	Purpose	Location
15-pin analog video output	CN1	VESA Feature connector	CN2
Note: 44-pin connectors J1 and J2 are unidentified.			

FACTORY CONFIGURED SETTINGS	
Jumper	Setting
S1/4	Off
JMP2	Pins 1 & 2 closed
JMP3	Pins 1 & 2 closed
JMP4	Pins 1 & 2 closed
TST1	Open

VERTICAL DISPLAY END INTERRUPT	
Setting	JMP1
Disabled	Pins 1 & 2 closed
Enabled	Pins 2 & 3 open

Continued on next page . . .

**SPEA SOFTWARE AG
V7 FASTWRITE VGA**

... continued from previous page

CGA CONFIGURATION		
Function	Location	Setting
í CGA enabled	S1/5	On
CGA disabled	S1/5	Off

XVGA CONFIGURATION		
Function	Location	Setting
í XVGA enabled	S1/8	Off
XVGA disabled	S1/8	On

ROM SELECTION		
Setting	S1/6	
í 16-bit ROM access	On	
8-bit ROM access	Off	

RAM SELECTION		
Setting	S1/7	
í 16-bit RAM access	On	
8-bit RAM access	Off	

VIDEO MEMORY CONFIGURATION		
Size	Bank 0	Bank 1
í 256KB	(4) 64K x 8	NONE
512KB	(4) 64K x 8	(4) 64K x 8

MISCELLANEOUS TECHNICAL NOTES
S1/1, S1/2, and S1/3 are all set to Off and used to select the Acer 7004, 7013, and 7015 monitors.