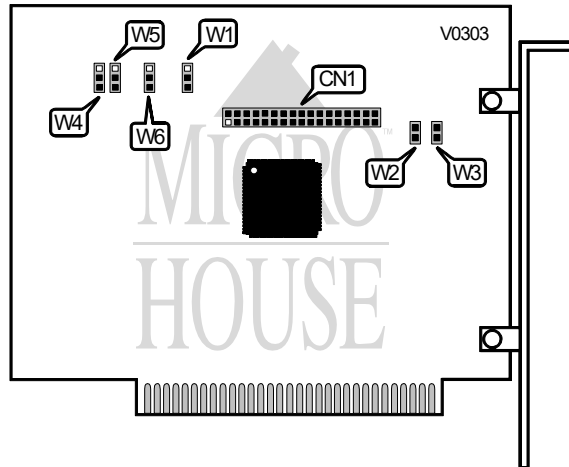


# DATA TECHNOLOGY CORPORATION

## DTC5110

**Card Type** Floppy drive controller  
**Chipset/Controller** DTC403  
**I/O Options** Floppy drive interface  
**Maximum DRAM** N/A



CONNECTIONS	
Purpose	Location
Floppy drive interface	CN1

I/O ADDRESS CONFIGURATION		
Por	Address	W1
Primary	3F2h - 3F7h	Pins 1 & 2 closed
Secondary	372h - 377h	Pins 2 & 3 closed

FLOPPY DRIVE DATA RATE		
Data Rate KB/s)	Precompensation	W2
500	125	Closed
300	208	Open
250	250	Open

Note: Leaving W2 open enables data-rate-dependent write precompensation.

FLOPPY DRIVE SPEED SELECT	
Speed setting	W3
Single	Open
Dual	Closed

Continued on next page . . .

**DATATECH ENTERPRISES COMPANY, LTD.**  
**DTC-5110**

... continued from previous page

FLOPPY DRIVE POLARITY CONFIGURATION	
Mode	W4, W5, and W6
Standard logic	Pins 1 & 2 for high density media, 2 & 3 for low
Reverse logic (for PS-2-type systems)	Pins 2 & 3 for high density media, 1 & 2 for low
Note: These jumpers are not needed for ANSI-type drives.	