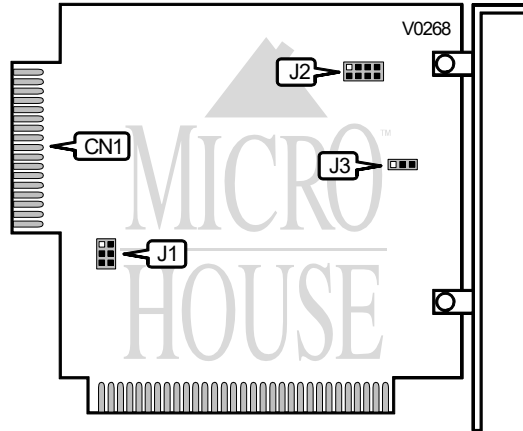


LONGSHINE MICROSYSTEM, INC.
LCS-6610F (VER. 2)

Card Type Floppy drive controller
Chipset/Controller Unknown
I/O Options Floppy drive interface
Maximum DRAM N/A



CONNECTIONS	
Purpose	Location
Floppy drive interface	CN1

ROM ADDRESS SELECTION			
Address Selection	1/1	1/2	1/3
CC000h-CDFFFh	Open	Closed	Open
CA000h-CBFFFh	Closed	Open	Open
CE000h-CFFFFh	Open	Open	Closed

DRIVE TYPE SELECTION				
Drive Type	J2/1	J2/2	J2/3	J2/4
360KB	N/A	N/A	N/A	N/A
1.2MB	Closed	N/A	Closed	N/A
720KB	Open	Closed	Open	Closed
1.44MB	Open	Open	Open	Open

I/O ADDRESS SELECTION	
Address Selection	J3
3F0h-3F7h	Pins 1 & 2 closed
370h-377h	Pins 2 & 3 closed