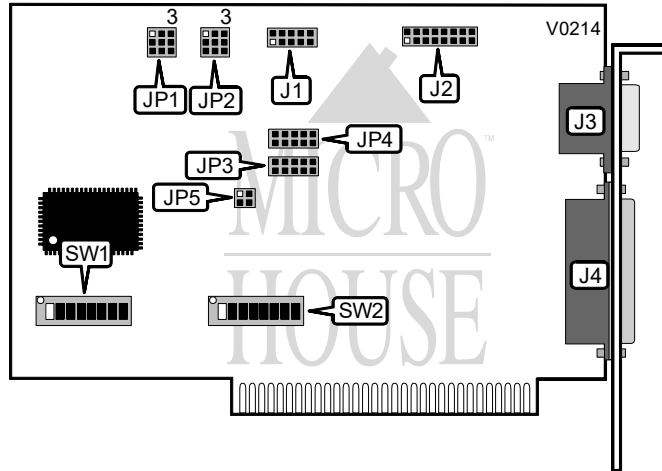


DIAMOND FLOWER, INC.  
DIO-500

<b>Card Type</b>	Multi I/O
<b>Chipset/Controller</b>	Microcomp Industries
<b>I/O Options</b>	Game port, parallel port, serial ports (2)
<b>Maximum DRAM</b>	N/A



CONNECTIONS			
Purpose :	Location	Purpose :	Location
Serial port 2	J1	Serial port 1	J3
Game port	J2	Parallel port	J4

SERIAL PORT CONFIGURATION					
Port 1 (J3)	Port 2 (J1)	SW1/2	SW1/3	SW1/7	SW1/8
COM1	COM2	On	On	On	On
COM2	COM3	Off	On	On	On
COM3	COM4	On	Off	On	On
Disabled	Disabled	N/A	N/A	Off	Off

SERIAL PORT INTERRUPT SELECTION				
Port 1 (J3)	SW2/5	SW2/6	SW2/7	SW2/8
IRQ4	Off	Off	On	Off
IRQ3	Off	On	Off	Off
IRQ2	On	Off	Off	Off
IRQ5	Off	Off	Off	On

Continued on next page . . .

DIAMOND FLOWER, INC.  
DIO-500

... continued from previous page

SERIAL PORT INTERRUPT SELECTION				
Port 2 (J1)	SW2/1	SW2/2	SW2/3	SW2/4
IRQ3	Off	On	Off	Off
IRQ4	Off	Off	On	Off
IRQ2	On	Off	Off	Off
IRQ5	Off	Off	Off	On

SERIAL PORT NORMAL/FORCED TRUE CONFIGURATION			
Port 1	Port 2	JP1	JP2
Normal	Normal	Pins 1 & 2, 4 & 5, 7 & 8 closed	Pins 1 & 2, 4 & 5, 7 & 8 closed
Forced True	Forced True	Pins 2 & 3, 5 & 6, 8 & 9 closed	Pins 2 & 3, 5 & 6, 8 & 9 closed

SERIAL PORT'S DTE/DCE CONFIGURATION			
Primary serial port J3		Secondary serial port J1	
Jumper JP4		Jumper JP3	
1 TX	1 TX	1 TX	1 TX
RD	RD	RD	RD
RTS	RTS	RTS	RTS
CTS	CTS	CTS	CTS
9 DTR	9 DTR	9 DTR	9 DTR
DTE	DCE	DTE	DCE

PARALLEL PORT CONFIGURATION			
Parallel port	LPT	S V1/1	S V1/5
Enabled	1	Off	On
Disabled	2	On	Off

PARALLEL PORT INTERRUPT SELECTION	
IRQ	JP5
7	Closed
5	Open

GAME PORT CONFIGURATION	
Port	SW1/4
Enabled	On
Disabled	Off

FACTORY CONFIGURED - DO NOT ALTER	
Switch	Position
SW1/6	N/A