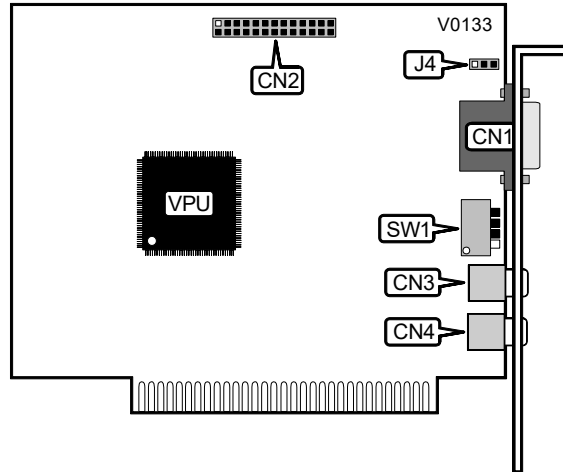


STB SYSTEMS, INC. AUTOEGA

Category	Video
Video Types Supported	EGA/Monochrome
Video Processor	Unidentified
Highest Resolution Supported	800 x 600
Data Bus Type	8-bit ISA
Memory Type	DRAM
Maximum Onboard Memory	256KB (Exact location of memory is unidentified)



CONNECTIONS			
Purpose	Location	Purpose	Location
15-pin analog video port	CN1	RCA input/output jack	CN3
Feature connector	CN2	RCA input/output jack	CN4

MONITOR TYPE SELECTION					
Type	J4	SW1/1	SW1/2	SW1/3	SW1/4
Monochrome	Pins 2 & 3 closed	Off	Off	On	Off
RGB 40 x 25	Pins 2 & 3 closed	On	Off	Off	On
RGB 80 x 25	Pins 2 & 3 closed	Off	Off	Off	On
EGA/Multi-frequency (Normal)	Pins 1 & 2 closed	On	On	On	Off
EGA/Multi-frequency (Hi resolution)	Pins 1 & 2 closed	Off	On	On	Off

Continued on next page . . .

STB SYSTEMS, INC.
 AUTOEGA

DUAL MONITOR CONFIGURATION					
Primary (Auto EGA)	Secondary (Mono/Printer)	SW1/1	SW1/2	SW1/3	SW1/4
i EGA/Multi-frequency (Hi resolution)	Monochrome/None	On	Off	Off	On
RGB 40 x 25	Monochrome	Off	On	On	Off
RGB 80 x 25	Monochrome/None	On	On	On	Off
EGA/Multi-frequency (Normal)	Monochrome/None	Off	Off	Off	On
Monochrome	RGB 40 x 25	On	Off	On	Off
Monochrome	RGB 80 x 25	Off	Off	On	Off

DUAL MONITOR CONFIGURATION					
Primary (Mono/Printer)	Secondary (Auto EGA)	SW1/1	SW1/2	SW1/3	SW1/4
Monochrome	i EGA/Multi-frequency (Hi resolution)	Off	Off	On	On
Monochrome	RGB 40 x 25	On	On	On	On
Monochrome	RGB 80 x 25	Off	On	On	On
Monochrome	EGA/Multi-frequency (Normal)	On	Off	On	On
Color 80 x 25	Monochrome	On	On	Off	On
Color 40 x 24	Monochrome	Off	On	Off	On