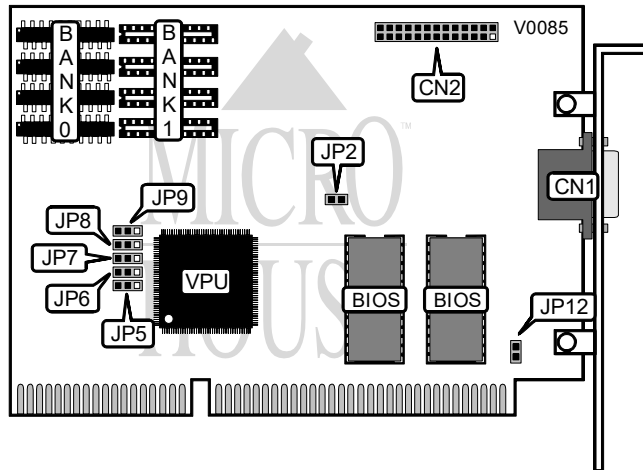


ADVANCED INTEGRATION RESEARCH, INC.  
AVIEW2 (VERSION 1.0)

**Category** Video  
**Video Types Supported** XVGA  
**Video Processor** 86C911  
**Highest Resolution Supported** 1024 x 768  
**Data Bus Type** 16-bit ISA  
**Memory Type** VRAM  
**Maximum Onboard Memory** 1024KB



CONNECTIONS			
Purpose :	Location	Purpose :	Location
15-pin analog video port	CN1	VGA Feature connector	CN2

VIDEO INTERRUPT SELECTION	
IRQ 2/9	JP12
Disabled	Open
Enabled	Closed

640 x 480 REFRESH RATE SELECTION			
Rate	P5	P6	P7
60Hz	Pins 1 & 2 closed	Pins 1 & 2 closed	Pins 1 & 2 closed
70Hz	Pins 2 & 3 closed	Pins 1 & 2 closed	Pins 1 & 2 closed

800 x 600 REFRESH RATE SELECTION			
Refresh	P5	P6	P7
60Hz	Pins 1 & 2 closed	Pins 2 & 3 closed	Pins 1 & 2 closed
70Hz	Pins 2 & 3 closed	Pins 2 & 3 closed	Pins 1 & 2 closed

Continued on next page . . .

ADVANCED INTEGRATION RESEARCH, INC.  
 AVIEW2 (VERSION 1.0)

... continued from previous page

1024 x 768 REFRESH RATE CONFIGURATION				
Rate	Mode	JP5	JP6	JP7
43Hz	Interlaced	Pins 2 & 3 closed	Pins 1 & 2 closed	Pins 2 & 3 closed
60Hz	Non-Interlaced	Pins 1 & 2 closed	Pins 2 & 3 closed	Pins 2 & 3 closed
70Hz	Interlaced	Pins 2 & 3 closed	Pins 2 & 3 closed	Pins 2 & 3 closed

VIDEO MEMORY SPEED SELECTION	
Speed	JP9
100 nanosecond	Pins 1 & 2 closed
80 nanosecond	Pins 2 & 3 closed

FACTORY CONFIGURED - DO NOT ALTER	
Jumper	Position
JP2	Open

VRAM CONFIGURATION			
Size	Bank 0	Bank 1	P8
256KB	(4) 256K x 4 ZIP	None	Pins 2 & 3 closed
512KB	(4) 256K x 4 ZIP	(4) 256K x 4 ZIP	Pins 1 & 2 closed