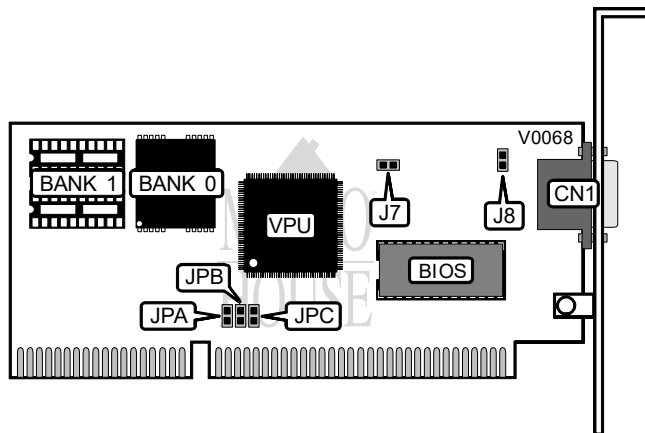


QDI
QD-TVGA 9000 LT2

Category Video
Video Types Supported XVGA
Video Processor TVGA9000
Highest Resolution Supported 1024 x 768
Data Bus Type 16-bit ISA
Memory Type DRAM
Maximum Onboard Memory 512KB



CONNECTIONS	
Purpose	Location
15-pin analog video port	CN1

SCAN RATE SELECTION	
Rate	J7
800 x 600	Closed
1024 x 768	Open

BUS WIDTH AUTODETECT CONFIGURATION	
Autodetect	J8
Enabled	Open
Disabled	Closed

Continued on next page . . .

QDI
QD-TVGA 9000 LT2

... continued from previous page

BUS SELECTION			
Bus	3/A	3/B	3/C
16-bit	Open	Open	Open
8-bit	Closed	Closed	Closed

DRAM CONFIGURATION		
Size	Bank 1	Bank 2
256KB	(2) 44256	None
512KB	(2) 44256	(2) 44256