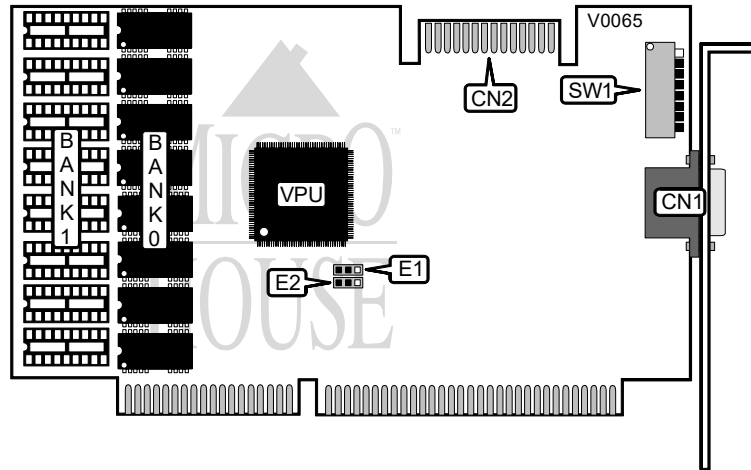


SPEA SOFTWARE AG
V7 VGA 1024I

Category Video
Video Types Supported XVGA
Video Processor Headland
Highest Resolution Supported 1024 x 768
Data Bus Type 16-bit ISA
Memory Type DRAM
Maximum Onboard Memory 512KB



CONNECTIONS			
Purpose	Location	Purpose	Location
15-pin analog video port	CN1	VGA Feature connector	CN2

FAST WRITE FEATURE CONFIGURATION	
Setting	SW1/4
Enabled	On
Disabled	Off

FACTORY CONFIGURED - DO NOT ALTER	
Switch	Position
SW1/1	On
SW1/2	On
SW1/3	On

Continued on next page . . .

SPEA SOFTWARE AG
V7 VGA 1024I

... continued from previous page

EMULATION MODE SELECTION	
Mode	SW1/5
í Emulation enable	On
CGA and HGC disabled	Off

BIOS ACCESS SELECTION			
Setting	E2	W1/6	W1/7
í 16-bit BIOS ROM access	Pins 1 & 2 closed	On	On
Force 8-bit ROM access	Pins 2 & 3 closed	Off	Off

VGA MODE SELECTION	
Setting	SW1/8
í VGA 1024I extensions enabled	On
Force VGA only modes	Off

VIDEO INTERRUPT SELECTION	
IRQ 2/9	E1
í Disabled	Pins 2 & 3 closed
Enabled	Pins 1 & 2 closed

FACTORY CONFIGURED - DO NOT ALTER	
Switch	Position
SW1/1	On
SW1/2	On
SW1/3	On

DRAM CONFIGURATION		
Size	Bank (Bank (
256KB	(8) 4864	None
512KB	(8) 4864	(8) 4864