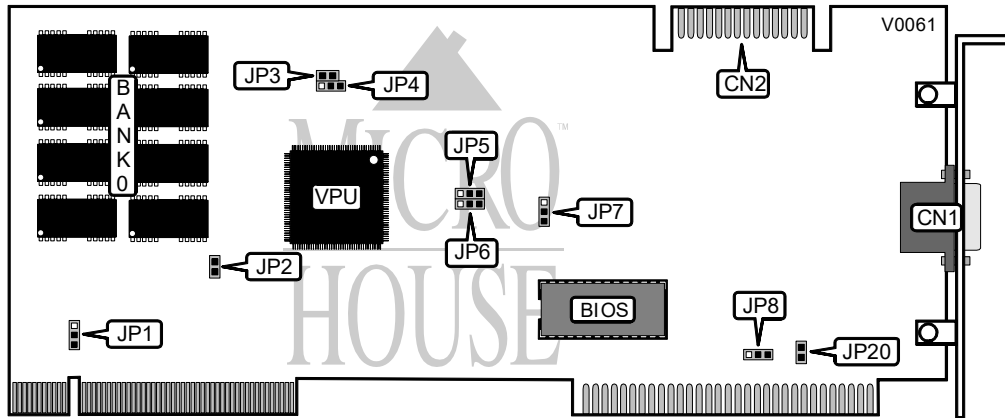


JOINDATA SYSTEMS, INC.
G-HOST4000

Category Video
Video Types Supported XVGA
Video Processor ET-4000
Highest Resolution Supported 1024 x 768
Data Bus Type 32-bit VESA Local Bus
Memory Type DRAM
Maximum Onboard Memory 1024KB



| CONNECTIONS | | | |
|--------------------------|----------|------------------------|----------|
| Purpose | Location | Purpose | Location |
| 15-pin analog video port | CN1 | VESA Feature connector | CN2 |

| WAIT STATE SELECTION | |
|----------------------|-----|
| Wait state | JP2 |
| 0 wait state | On |
| 1 wait state | Off |

| LOCAL BUS SELECTION | | |
|---------------------|-------------------|-------------------|
| Setting | JP1 | JP4 |
| Enabled | Pins 1 & 2 closed | Pins 1 & 2 closed |
| Disabled | Pins 2 & 3 closed | Pins 2 & 3 closed |

| MEMORY BUS CONTROL SIGNAL CONFIGURATION | |
|---|-----|
| Signal | JP3 |
| Originate G486PLB motherboard | On |
| Originate G-Host4000 VGA card | Off |

Continued on next page . . .

JOINDATA SYSTEMS, INC.
G-HOST4000

... continued from previous page

| CLOCK CONFIGURATION | | | | |
|---------------------|----------|-------------------|-------------------|-------------------|
| Generator | Switch | JP5 | JP6 | JP7 |
| Enabled | Enabled | Pins 1 & 2 closed | Pins 1 & 2 closed | Pins 2 & 3 closed |
| Disabled | Disabled | Pins 2 & 3 closed | Pins 2 & 3 closed | Pins 1 & 2 closed |

| BIOS SELECTION | |
|----------------|-------------------|
| BIOS | JP8 |
| 32KB | Pins 1 & 2 closed |
| 64KB | Pins 2 & 3 closed |

| IRQ2 LINE STATUS CONFIGURATION | |
|--------------------------------|------|
| Setting | JP20 |
| Enabled | On |
| Disabled | Off |