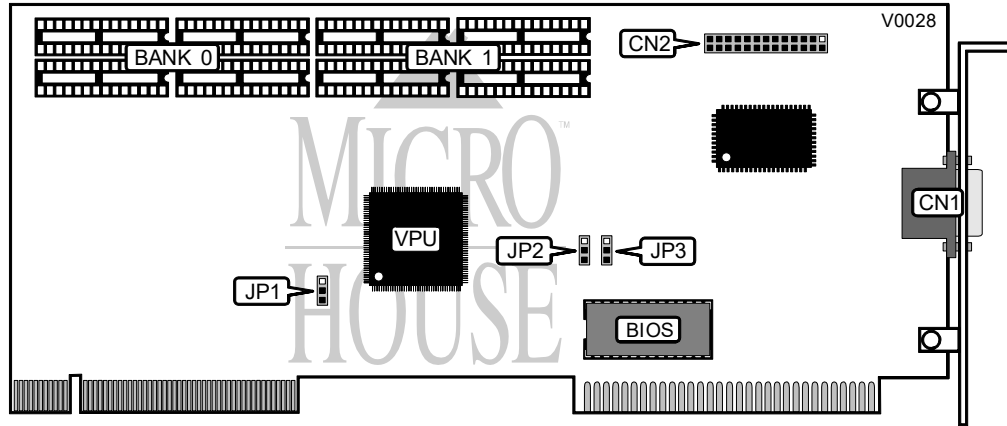


ADVANCED INTEGRATION RESEARCH, INC.

TSVGA VESA LOCAL BUS

Category Video
Video Types Supported XVGA
Video Processor ET4000
Highest Resolution Supported 1280 x 1024
Data Bus Type 32-bit VESA Local Bus
Memory Type DRAM or VRAM
Maximum Onboard Memory 1024KB



CONNECTIONS			
Purpose :	Location	Purpose :	Location
15-pin analog video port	CN1	VESA Feature connector	CN2

INTERRUPT SELECTION	
IRQ 2/9	JP1
Disabled	Pins 1 & 2 closed
Enabled	Pins 2 & 3 closed

WAIT STATE SELECTION			
Memory wait state	I/O wait state	P2	P3
1	3	Pins 1 & 2 closed	Pins 1 & 2 closed
2	4	Pins 2 & 3 closed	Pins 1 & 2 closed
3	3	Pins 1 & 2 closed	Pins 2 & 3 closed
4	4	Pins 2 & 3 closed	Pins 2 & 3 closed

DRAM/VRAM CONFIGURATION		
Size	Bank 1	Bank 2
512KB	(4) 256K x 4	NONE
1024KB	(4) 256K x 4	(4) 256K x 4

Note: TSVGA card may be configured from the factory with either DRAM or VRAM.