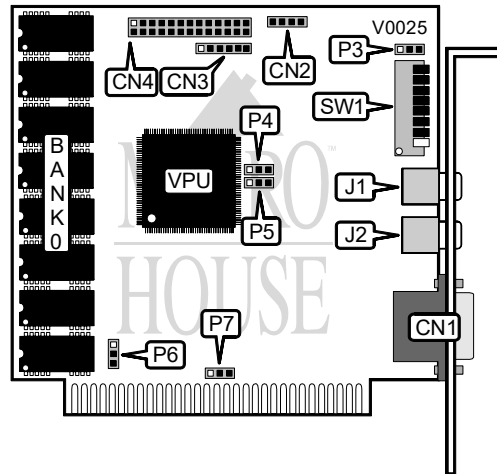


ATI TECHNOLOGIES, INC. EGA WONDER

Category	Video
Video Types Supported	EGA
Video Processor	ATI 18800
Highest Resolution Supported	800 X 600
Data Bus Type	8-bit ISA
Memory Type	DRAM
Maximum Onboard Memory	256KB



CONNECTIONS			
Purpose	Location	Purpose	Location
15-pin analog video port	CN1	VGA feature connector	CN4
RF modulator port	CN2	Composite monitor port	J1
Light pen port	CN3	Composite monitor port	J2

FACTORY CONFIGURED - DO NOT ALTER	
Jumper	Position
P4	Open
P5	Open

COMPOSITE MONITOR SELECTION	
Setting	P3
Composite signal to J1 enabled	Pins 2 & 3 closed
Composite signal to J1 disabled	Pins 1 & 2 closed

Continued on next page . . .

ATI TECHNOLOGIES, INC.
EGA WONDER

... continued from previous page

BIOS TYPE SELECTION	
BIOS	P6
27256	Pins 1 & 2 closed
27128	Pins 2 & 3 closed

PORT ADDRESS SELECTION	
Address	P7
i 3XX	Pins 1 & 2 closed
2XX	Pins 2 & 3 closed

MONITOR TYPE CONFIGURATION							
Type	SW1/1	SW1/2	SW1/3	SW1/4	SW1/5	SW1/6	SW1/7
i EGA	Off	On	On	Off	On	Off	Off
Multisync	Off	On	On	Off	On	Off	On
RGB & Composite	Off	On	On	Off	On	On	Off
TTL Monochrome	Off	On	On	Off	Off	On	Off
Composite Monochrome	Off	On	On	Off	On	On	Off
Compaq	Off	On	On	Off	Off	Off	Off
IBM Analog	On	On	On	Off	Off	On	On

Note: SW1/8 enables the enhanced feature of the card. Turn the switch off if any problems occur.