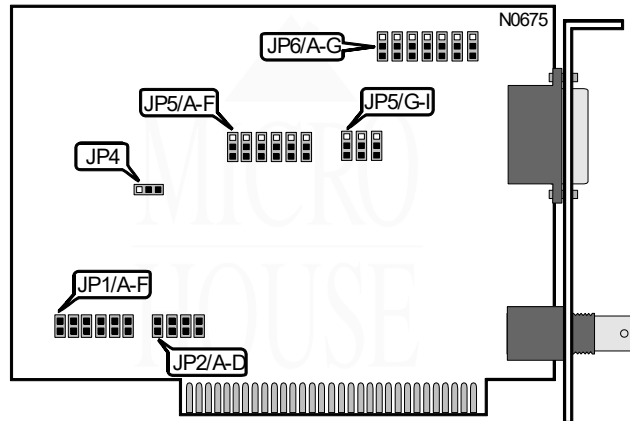


D-LINK DE-150

NIC Type	Ethernet
Transfer Rate	10Mbps
Data Bus	8-bit ISA
Topology	Linear Bus
Wiring Type	RG58A/U 50ohm coaxial AUI transceiver via DB-15 port
Boot ROM	Available



BASE MEMORY ADDRESS CONFIGURATION				
Address	Boot ROM	JP5/G	JP5/H	JP5/I
0D000h	D200h	Pins 1 & 2 closed	Pins 2 & 3 closed	Pins 2 & 3 closed
C000h	N/A	Pins 2 & 3 closed	Pins 2 & 3 closed	Pins 2 & 3 closed
C400h	N/A	Pins 2 & 3 closed	Pins 2 & 3 closed	Pins 1 & 2 closed
C800h	CA00h	Pins 2 & 3 closed	Pins 1 & 2 closed	Pins 2 & 3 closed
CC00h	CE00h	Pins 2 & 3 closed	Pins 1 & 2 closed	Pins 1 & 2 closed
D400h	D600h	Pins 1 & 2 closed	Pins 2 & 3 closed	Pins 1 & 2 closed
D800h	DA00h	Pins 1 & 2 closed	Pins 1 & 2 closed	Pins 2 & 3 closed
DC00h	DE00h	Pins 1 & 2 closed	Pins 1 & 2 closed	Pins 1 & 2 closed

BOOT ROM CONFIGURATION	
Setting	JP4
Disabled	Pins 2 & 3 closed
Enabled	Pins 1 & 2 closed

CABLE TYPE	
Type	JP6/A-G
AUI transceiver via DB-15 port	Pins 2 & 3 closed
RG58A/U 50ohm coaxial	Pins 1 & 2 closed

Continued on next page . . .

D-LINK
DE-150

... continued from previous page

DMA CHANNEL				
Channel	JP2/A	JP2/B	JP2/C	JP2/D
í DMA1	Closed	Open	Closed	Open
DMA3	Open	Closed	Open	Closed

INTERRUPT SELECT						
IRQ	JP1/A	JP1/B	JP1/C	JP1/D	JP1/E	JP1/F
í IRQ3	Open	Closed	Open	Open	Open	Open
IRQ2	Closed	Open	Open	Open	Open	Open
IRQ4	Open	Open	Closed	Open	Open	Open
IRQ5	Open	Open	Open	Closed	Open	Open
IRQ6	Open	Open	Open	Open	Closed	Open
IRQ7	Open	Open	Open	Open	Open	Closed

I/O ADDRESS CONFIGURATION						
Address	JP5/A	JP5/B	JP5/C	JP5/D	JP5/E	JP5/F
í 300h	Pins 1 & 2	Pins 1 & 2	Pins 2 & 3	Pins 2 & 3	Pins 2 & 3	Pins 2 & 3
100h	Pins 2 & 3	Pins 1 & 2	Pins 2 & 3	Pins 2 & 3	Pins 2 & 3	Pins 2 & 3
110h	Pins 2 & 3	Pins 1 & 2	Pins 2 & 3	Pins 2 & 3	Pins 2 & 3	Pins 1 & 2
120h	Pins 2 & 3	Pins 1 & 2	Pins 2 & 3	Pins 2 & 3	Pins 1 & 2	Pins 2 & 3
130h	Pins 2 & 3	Pins 1 & 2	Pins 2 & 3	Pins 2 & 3	Pins 1 & 2	Pins 1 & 2
140h	Pins 2 & 3	Pins 1 & 2	Pins 2 & 3	Pins 1 & 2	Pins 2 & 3	Pins 2 & 3
150h	Pins 2 & 3	Pins 1 & 2	Pins 2 & 3	Pins 1 & 2	Pins 2 & 3	Pins 1 & 2
160h	Pins 2 & 3	Pins 1 & 2	Pins 2 & 3	Pins 1 & 2	Pins 1 & 2	Pins 2 & 3
170h	Pins 2 & 3	Pins 1 & 2	Pins 2 & 3	Pins 1 & 2	Pins 1 & 2	Pins 1 & 2
180h	Pins 2 & 3	Pins 1 & 2	Pins 1 & 2	Pins 2 & 3	Pins 2 & 3	Pins 2 & 3
190h	Pins 2 & 3	Pins 1 & 2	Pins 1 & 2	Pins 2 & 3	Pins 2 & 3	Pins 1 & 2
1A0h	Pins 2 & 3	Pins 1 & 2	Pins 1 & 2	Pins 2 & 3	Pins 1 & 2	Pins 2 & 3
1B0h	Pins 2 & 3	Pins 1 & 2	Pins 1 & 2	Pins 2 & 3	Pins 1 & 2	Pins 1 & 2
1C0h	Pins 2 & 3	Pins 1 & 2	Pins 1 & 2	Pins 1 & 2	Pins 2 & 3	Pins 2 & 3
1D0h	Pins 2 & 3	Pins 1 & 2	Pins 1 & 2	Pins 1 & 2	Pins 2 & 3	Pins 1 & 2
1E0h	Pins 2 & 3	Pins 1 & 2	Pins 1 & 2	Pins 1 & 2	Pins 1 & 2	Pins 2 & 3
1F0h	Pins 2 & 3	Pins 1 & 2	Pins 1 & 2	Pins 1 & 2	Pins 1 & 2	Pins 1 & 2
200h	Pins 1 & 2	Pins 2 & 3	Pins 2 & 3	Pins 2 & 3	Pins 2 & 3	Pins 2 & 3
210h	Pins 1 & 2	Pins 2 & 3	Pins 2 & 3	Pins 2 & 3	Pins 2 & 3	Pins 1 & 2
220h	Pins 1 & 2	Pins 2 & 3	Pins 2 & 3	Pins 2 & 3	Pins 1 & 2	Pins 2 & 3
230h	Pins 1 & 2	Pins 2 & 3	Pins 2 & 3	Pins 2 & 3	Pins 1 & 2	Pins 1 & 2
240h	Pins 1 & 2	Pins 2 & 3	Pins 2 & 3	Pins 1 & 2	Pins 2 & 3	Pins 2 & 3
250h	Pins 1 & 2	Pins 2 & 3	Pins 2 & 3	Pins 1 & 2	Pins 2 & 3	Pins 1 & 2
260h	Pins 1 & 2	Pins 2 & 3	Pins 2 & 3	Pins 1 & 2	Pins 1 & 2	Pins 2 & 3

Note: All Pins designated should be in the closed position.

Continued on next page ...

D-LINK
DE-150

I/O ADDRESS CONFIGURATION (CONTINUED)						
Address	JP5/A	JP5/B	JP5/C	JP5/D	JP5/E	JP5/F
270h	Pins 1 & 2	Pins 2 & 3	Pins 2 & 3	Pins 1 & 2	Pins 1 & 2	Pins 1 & 2
280h	Pins 1 & 2	Pins 2 & 3	Pins 1 & 2	Pins 2 & 3	Pins 2 & 3	Pins 2 & 3
290h	Pins 1 & 2	Pins 2 & 3	Pins 1 & 2	Pins 2 & 3	Pins 2 & 3	Pins 2 & 3
2A0h	Pins 1 & 2	Pins 2 & 3	Pins 1 & 2	Pins 2 & 3	Pins 1 & 2	Pins 2 & 3
2B0h	Pins 1 & 2	Pins 2 & 3	Pins 1 & 2	Pins 2 & 3	Pins 1 & 2	Pins 1 & 2
2C0h	Pins 1 & 2	Pins 2 & 3	Pins 1 & 2	Pins 1 & 2	Pins 2 & 3	Pins 2 & 3
2D0h	Pins 1 & 2	Pins 2 & 3	Pins 1 & 2	Pins 1 & 2	Pins 2 & 3	Pins 1 & 2
2E0h	Pins 1 & 2	Pins 2 & 3	Pins 1 & 2	Pins 1 & 2	Pins 1 & 2	Pins 2 & 3
310h	Pins 1 & 2	Pins 1 & 2	Pins 2 & 3	Pins 2 & 3	Pins 2 & 3	Pins 1 & 2
320h	Pins 1 & 2	Pins 1 & 2	Pins 2 & 3	Pins 2 & 3	Pins 1 & 2	Pins 2 & 3
330h	Pins 1 & 2	Pins 1 & 2	Pins 2 & 3	Pins 2 & 3	Pins 1 & 2	Pins 1 & 2
340h	Pins 1 & 2	Pins 1 & 2	Pins 2 & 3	Pins 1 & 2	Pins 2 & 3	Pins 2 & 3
350h	Pins 1 & 2	Pins 1 & 2	Pins 2 & 3	Pins 1 & 2	Pins 2 & 3	Pins 1 & 2
360h	Pins 1 & 2	Pins 1 & 2	Pins 2 & 3	Pins 1 & 2	Pins 1 & 2	Pins 2 & 3
370h	Pins 1 & 2	Pins 1 & 2	Pins 2 & 3	Pins 1 & 2	Pins 1 & 2	Pins 1 & 2
380h	Pins 1 & 2	Pins 1 & 2	Pins 1 & 2	Pins 2 & 3	Pins 2 & 3	Pins 2 & 3
390h	Pins 1 & 2	Pins 1 & 2	Pins 1 & 2	Pins 2 & 3	Pins 2 & 3	Pins 1 & 2
3A0h	Pins 1 & 2	Pins 1 & 2	Pins 1 & 2	Pins 2 & 3	Pins 1 & 2	Pins 2 & 3
3B0h	Pins 1 & 2	Pins 1 & 2	Pins 1 & 2	Pins 2 & 3	Pins 2 & 3	Pins 1 & 2
3C0h	Pins 1 & 2	Pins 1 & 2	Pins 1 & 2	Pins 1 & 2	Pins 2 & 3	Pins 2 & 3
3D0h	Pins 1 & 2	Pins 1 & 2	Pins 1 & 2	Pins 1 & 2	Pins 2 & 3	Pins 1 & 2
3E0h	Pins 1 & 2	Pins 1 & 2	Pins 1 & 2	Pins 1 & 2	Pins 1 & 2	Pins 2 & 3

Note: All Pins designated should be in the closed position.