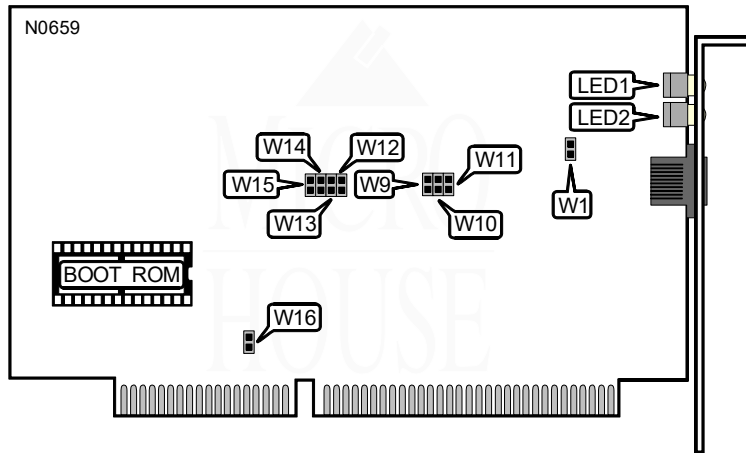


THE NETWORK INTERFACE CARD TECHNICAL GUIDE

EAGLE TECHNOLOGY

NE 200 T

NIC Type	Ethernet
Transfer Rate	10Mbps
Data Bus	16-bit ISA
Topology	Linear Bus/Star
Wiring Type	Unshielded twisted pair
Boot ROM	Available



BOOT ROM	
Setting	W11
Disabled	Open
Enabled	Closed

COMPATIBILITY MODE	
Setting	W16
Normal ISA bus timing	Closed
Alternate ISA bus timing	Open

Note: Alternate ISA bus timing is used if the host computer is not 100% ISA bus compatible (such as the Compaq 286, IBM PC 30-286 or systems that use the C & T chip set).

I/O BASE ADDRESS		
Address	W9	W10
300h	Closed	Closed
320h	Open	Closed
340h	Closed	Open
360h	Open	Open

Continued on next page . . .

NOVELL, INC.
NE200T

... continued from previous page

INTERRUPT REQUEST				
IRQ	W12	W13	W14	W15
3	Open	Closed	Open	Open
2	Closed	Open	Open	Open
4	Open	Open	Closed	Open
5	Open	Open	Open	Closed

TOPOLOGY TYPE SELECT	
Type	W1
Linear Bus	Open
Star	Closed

DIAGNOSTIC LED(S)			
LED	Color	Status	Condition
LED1	Green	Off	Network connection is good
LED1	Green	On	Network connection is broken
LED2	Red	On	Polarity is correct
LED2	Red	Off	Polarity is reversed