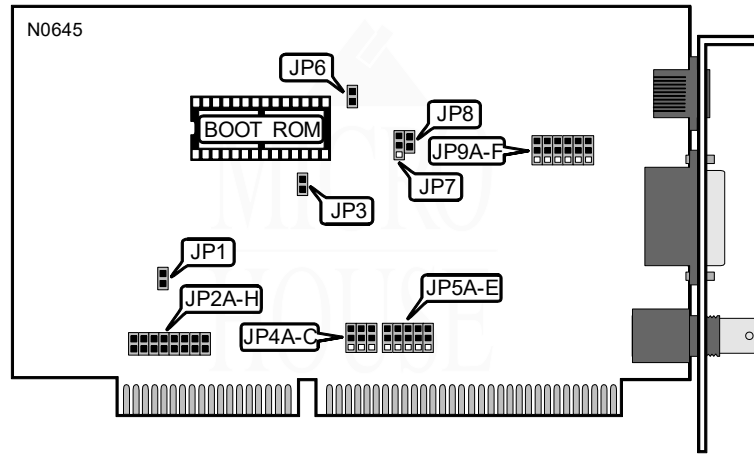


LONGSHINE MICROSYSTEM, INC.  
LCS-8634TBA (REV.B1)

**NIC Type** Ethernet  
**Transfer Rate** 10Mbps  
**Data Bus** 16-bit ISA  
**Topology** Star  
**Wiring Type** RG58A/U 50ohm coaxial  
 AUI transceiver via DB-15 port  
 Unshielded twisted pair  
**Boot ROM** Available



BOOT ROM	
Setting	JP3
Disabled	Open
Enabled	Closed

COMPATABILITY MODE	
Setting	JP1
Disabled	Open
Enabled	Closed

Note: If your system does not work with this card, set this option to enabled (closed).

CABLE TYPE			
Type	JP6	JP8	JP9A-F
Unshielded twisted pair	Open	Closed	Optional
RG58A/U 50ohm coaxial	Closed	Open	Pins 1 & 2 closed
AUI transceiver via DB-15 port	Open	Open	Pins 2 & 3 closed

Continued on next page . . .

LONGSHINE MICROSYSTEM, INC.  
LCS-8634TBA (REV.B1)

... continued from previous page

INTERUPT REQUEST								
IRQ	JP2A	JP2B	JP2C	JP2D	JP2E	JP2F	JP2G	JP2H
3	Open	Open	Open	Open	Open	Open	Open	Closed
4	Open	Open	Open	Open	Open	Open	Closed	Open
5	Open	Open	Open	Open	Open	Closed	Open	Open
9	Open	Open	Open	Open	Closed	Open	Open	Open
10	Open	Open	Open	Closed	Open	Open	Open	Open
11	Open	Open	Closed	Open	Open	Open	Open	Open
12	Open	Closed	Open	Open	Open	Open	Open	Open
15	Closed	Open	Open	Open	Open	Open	Open	Open

BASE MEMORY ADDRESS						
Base Address	JP5A	JP5B	JP5C	JP5D	JP5E	
C800h	Pins 1 & 2	Pins 1 & 2	Pins 2 & 3	Pins 1 & 2	Pins 1 & 2	
CA00h	Pins 2 & 3	Pins 1 & 2	Pins 2 & 3	Pins 1 & 2	Pins 1 & 2	
CC00h	Pins 1 & 2	Pins 2 & 3	Pins 2 & 3	Pins 1 & 2	Pins 1 & 2	
CE00h	Pins 2 & 3	Pins 2 & 3	Pins 2 & 3	Pins 1 & 2	Pins 1 & 2	
D000h	Pins 1 & 2	Pins 1 & 2	Pins 1 & 2	Pins 2 & 3	Pins 1 & 2	
D200h	Pins 2 & 3	Pins 1 & 2	Pins 1 & 2	Pins 2 & 3	Pins 1 & 2	
D400h	Pins 1 & 2	Pins 2 & 3	Pins 1 & 2	Pins 2 & 3	Pins 1 & 2	
D600h	Pins 2 & 3	Pins 2 & 3	Pins 1 & 2	Pins 2 & 3	Pins 1 & 2	
D800h	Pins 1 & 2	Pins 1 & 2	Pins 2 & 3	Pins 2 & 3	Pins 1 & 2	
DA00h	Pins 2 & 3	Pins 1 & 2	Pins 2 & 3	Pins 2 & 3	Pins 1 & 2	
DC00h	Pins 1 & 2	Pins 2 & 3	Pins 2 & 3	Pins 2 & 3	Pins 1 & 2	
DE00h	Pins 2 & 3	Pins 2 & 3	Pins 2 & 3	Pins 2 & 3	Pins 1 & 2	

Note: Pins designated should be in the closed position.

Continued on next page ...

LONGSHINE MICROSYSTEM, INC.  
LCS-8634TBA (REV. B1)

... continued from previous page

I/O BASE ADDRESS			
Address	4A	4B	4C
300h	Pins 1 & 2 closed	Pins 1 & 2 closed	Pins 1 & 2 closed
320h	Pins 2 & 3 closed	Pins 1 & 2 closed	Pins 1 & 2 closed
340h	Pins 1 & 2 closed	Pins 2 & 3 closed	Pins 1 & 2 closed
360h	Pins 2 & 3 closed	Pins 2 & 3 closed	Pins 1 & 2 closed
380h	Pins 1 & 2 closed	Pins 1 & 2 closed	Pins 2 & 3 closed
3A0h	Pins 2 & 3 closed	Pins 1 & 2 closed	Pins 2 & 3 closed
3C0h	Pins 1 & 2 closed	Pins 2 & 3 closed	Pins 2 & 3 closed
3E0h	Pins 2 & 3 closed	Pins 2 & 3 closed	Pins 2 & 3 closed

LINK INTEGRITY TEST	
Setting	JP7
Enabled	Pins 2 & 3 closed
Disabled	Pins 1 & 2 closed