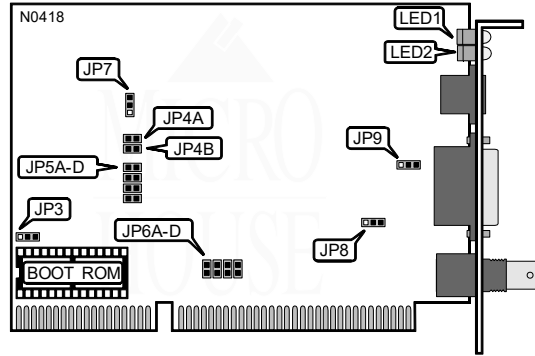


XINETRON, INC.
 XI321TCN REV. A

NIC Type	Ethernet
Transfer Rate	10Mbps
Data Bus	16-bit ISA
Topology	Linear Bus
Wiring Type	Unshielded twisted pair RG58A/U 50ohm coaxial AUI transceiver via DB-15 port
Boot ROM	Available



COMPATABILITY MODE	
Setting	JP3
Disabled	Pins 2 & 3 closed
Enabled	Pins 1 & 2 closed

Note: Some systems use non-standard timing. If your system does not work with this card set this option to enabled (Pins 1 & 2 closed).

I/O BASE ADDRESS		
Address	JP4A	JP4B
300h	Closed	Closed
320h	Closed	Open
340h	Open	Closed
360h	Open	Open

BOOT ROM ADDRESS			
Address	JP5A	JP5B	JP5C
C8000h	Open	Open	Open
CC000h	Closed	Open	Closed
D0000h	Open	Open	Closed

Continued on next page . . .

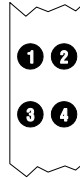
XINETRON, INC.
 XI321TCN REV. A

... continued from previous page

BOOT ROM	
Setting	JP5D
Disabled	Open
Enabled	Closed

INTERUPT REQUEST				
IRQ	JP6A	JP6B	JP6C	JP6D
2/9	Closed	Open	Open	Open
3	Open	Closed	Open	Open
4	Open	Open	Closed	Open
15	Open	Open	Open	Closed

CABLE TYPE			
Type	JP7	JP8	JP9
1RG58A/U 50ohm coaxial	Pins 1 & 2 closed	Pins 1 & 2 closed	Pins 1 & 2 closed
Unshielded twisted pair	Pins 2 & 3 closed	Pins 1 & 2 closed	Pins 1 & 2 closed
AUI transceiver via DB-15 port	N/A	Pins 2 & 3 closed	Pins 2 & 3 closed



DIAGNOSTIC LED(S)		
LED	Status	Condition
LED1	On	Twisted pair network connection is good
LED1	Off	Twisted pair network connection is broken
LED2	On	Collision detected on network
LED2	Off	No collisions detected on network
LED3	On	Data is being transmitted
LED3	Off	Data is not being transmitted
LED4	On	Data is being received
LED4	Off	Data is not being received