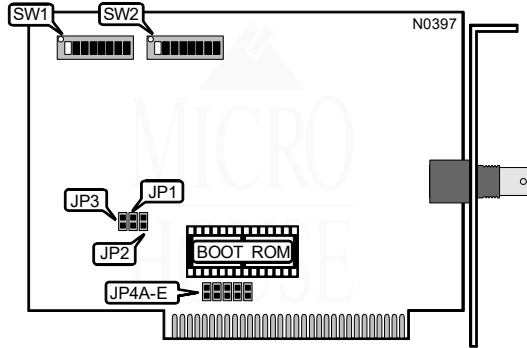


JC INFORMATION SYSTEMS CORPORATION  
 JC1005-2001 & JC1005-2002

**NIC Type** ARCnet  
**Transfer Rate** 2.5Mbps  
**Data Bus** 8-bit ISA  
**Topology** Star (JC1005-2001)  
 Linear bus (JC1005-2002)  
**Wiring Type** RG-62A/U 93ohm coaxial  
**Boot ROM** Available



NODE ADDRESS								
Node	SW2/1	SW2/2	SW2/3	SW2/4	SW2/5	SW2/6	SW2/7	SW2/8
0	-	-	-	-	-	-	-	-
1	Off	On	On	On	On	On	On	On
2	On	Off	On	On	On	On	On	On
3	Off	Off	On	On	On	On	On	On
4	On	On	Off	On	On	On	On	On
251	Off	Off	On	Off	Off	Off	Off	Off
252	On	On	Off	Off	Off	Off	Off	Off
253	Off	On	Off	Off	Off	Off	Off	Off
254	On	Off	Off	Off	Off	Off	Off	Off
255	Off	Off	Off	Off	Off	Off	Off	Off

Note: Node address 0 is used for messaging between nodes and must not be used.  
 A total of 255 node address settings are available. The switches are a binary representation of the decimal node addresses. Switch 1 is the Least Significant Bit and switch 8 is the Most Significant Bit. The switches have the following decimal values: switch 1=1, 2=2, 3=4, 4=8, 5=16, 6=32, 7=64, 8=128. Turn off the switches and add the values of the off switches to obtain the correct node address. (On=0, Off=1)

Continued on next page . . .

**THE NETWORK INTERFACE CARD TECHNICAL GUIDE**

**JC INFORMATION SYSTEMS, INC.  
JC1005-2001 & JC1005-2002**

... continued from previous page

SEGMENT LENGTH & RESPONSE/RECONFIGURATION TIMEOUTS					
Max. Length	Response	Idle Time	Reconfiguration	JP1	JP2
12,000 feet	78µs	86µs	840ms	Open	Open
20,000 feet	285µs	316µs	1680ms	Open	Closed
20,000 feet	563µs	624µs	1680ms	Closed	Open
20,000 feet	1130µs	1237µs	1680ms	Closed	Closed

Note: All NICs on the network must have this option set the same.

BOOT ROM	
Setting	JP3
Disabled	Open
Enabled	Closed

INTERRUPT REQUEST					
IRQ	JP4A	JP4B	JP4C	JP4D	JP4E
2	Closed	Open	Open	Open	Open
3	Open	Closed	Open	Open	Open
4	Open	Open	Closed	Open	Open
5	Open	Open	Open	Closed	Open
7	Open	Open	Open	Open	Closed

I/O BASE ADDRESS			
Address	SW1/1	SW1/2	SW1/3
260 - 26Fh	On	On	On
290 - 29Fh	On	On	Off
2E0 - 2EFh	On	Off	On
2F0 - 2FFh	On	Off	Off
300 - 30Fh	Off	On	On
350 - 35Fh	Off	On	Off
380 - 38Fh	Off	Off	On
3E0 - 3EFh	Off	Off	Off

Continued on next page ...

JC INFORMATION SYSTEMS, INC.  
 JC1005-2001 & JC1005-2002

... continued from previous page

BASE MEMORY ADDRESS & BOOT ROM ADDRESS						
Base Address	Boot ROM Address	SW1/4	SW1/5	SW1/6	SW1/7	SW1/8
C0000 - C07FFh	C2000 - C3FFFh	On	On	On	On	On
C0800 - C0FFFh	C2000 - C3FFFh	On	On	On	On	Off
C1000 - C17FFh	C2000 - C3FFFh	On	On	On	Off	On
C1800 - C1FFFh	C2000 - C3FFFh	On	On	On	Off	Off
C4000 - C47FFh	C6000 - C7FFFh	On	On	Off	On	On
C4800 - C4FFFh	C6000 - C7FFFh	On	On	Off	On	Off
C5000 - C57FFh	C6000 - C7FFFh	On	On	Off	Off	On
C5800 - C5FFFh	C6000 - C7FFFh	On	On	Off	Off	Off
CC000 - CC7FFh	CE000 - CFFFFh	On	Off	On	On	On
CC800 - CCFFFh	CE000 - CFFFFh	On	Off	On	On	Off
CD000 - CD7FFh	CE000 - CFFFFh	On	Off	On	Off	On
CD800 - CDFFFh	CE000 - CFFFFh	On	Off	On	Off	Off
D0000 - D07FFh	D2000 - D3FFFh	On	Off	Off	On	On
D0800 - D0FFFh	D2000 - D3FFFh	On	Off	Off	On	Off
D1000 - D17FFh	D2000 - D3FFFh	On	Off	Off	Off	On
D1800 - D1FFFh	D2000 - D3FFFh	On	Off	Off	Off	Off
D4000 - D47FFh	D6000 - D7FFFh	Off	On	On	On	On
D4800 - D4FFFh	D6000 - D7FFFh	Off	On	On	On	Off
D5000 - D57FFh	D6000 - D7FFFh	Off	On	On	Off	On
D5800 - D5FFFh	D6000 - D7FFFh	Off	On	On	Off	Off
D8000 - D87FFh	DA000 - DBFFFh	Off	On	Off	On	On
D8800 - D8FFFh	DA000 - DBFFFh	Off	On	Off	On	Off
D9000 - D97FFh	DA000 - DBFFFh	Off	On	Off	Off	On
D9800 - D9FFFh	DA000 - DBFFFh	Off	On	Off	Off	Off
DC000 - DC7FFh	DE000 - DFFFFh	Off	Off	On	On	On
DC800 - DCFFFh	DE000 - DFFFFh	Off	Off	On	On	Off
DD000 - D7FFh	DE000 - DFFFFh	Off	Off	On	Off	On
DD800 - DDFFFh	DE000 - DFFFFh	Off	Off	On	Off	Off
E0000 - E07FFh	E2000 - E2FFFh	Off	Off	Off	On	On
E0800 - E0FFFh	E2000 - E2FFFh	Off	Off	Off	On	Off
E1000 - E17FFh	E2000 - E2FFFh	Off	Off	Off	Off	On
E1800 - E1FFFh	E2000 - E2FFFh	Off	Off	Off	Off	Off