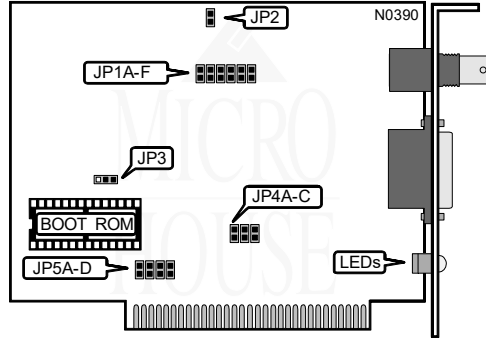


JC INFORMATION SYSTEMS CORPORATION  
 ELS I (ASSY#1016-200-01)

**NIC Type** Ethernet  
**Transfer Rate** 10Mbps  
**Data Bus** 8-bit ISA  
**Topology** Linear bus  
**Wiring Type** RG58A/U 50ohm coaxial  
 AUI transceiver via DB-15 port  
**Boot ROM** Available



CABLE TYPE	
Type	JP1A - JP1F
RG58A/U 50ohm coaxial	Closed
AUI transceiver via DB-15 port	Open

I/O BASE ADDRESS & BOOT ROM ADDRESS			
I/O Address	Boot ROM Address	JP4A	JP4B
300h	C8000h	Closed	Closed
320h	CC000h	Open	Closed
340h	D0000h	Closed	Open
360h	D4000h	Open	Open

BOOT ROM	
Setting	JP4C
Disabled	Open
Enabled	Closed

Continued on next page . . .

JC INFORMATION SYSTEMS  
 ELS I (ASSY#1016-200-01)

... continued from previous page

INTERRUPT REQUEST				
IRQ	JP5A	JP5B	JP5C	JP5D
i2	Closed	Open	Open	Open
3	Open	Closed	Open	Open
4	Open	Open	Closed	Open
5	Open	Open	Open	Closed

FACTORY CONFIGURED SETTINGS	
Jumper	Setting
JP2	Unused
JP3	Unused



DIAGNOSTIC LED(S)		
Color	Status	Condition
Green	On	Data is being transmitted or received
Green	Off	Data is not being transmitted or received
Red	Off	Network connection is good
Red	On	Network connection is broken

Note: The location of the diagnostic LEDs may vary on different revisions of this card.