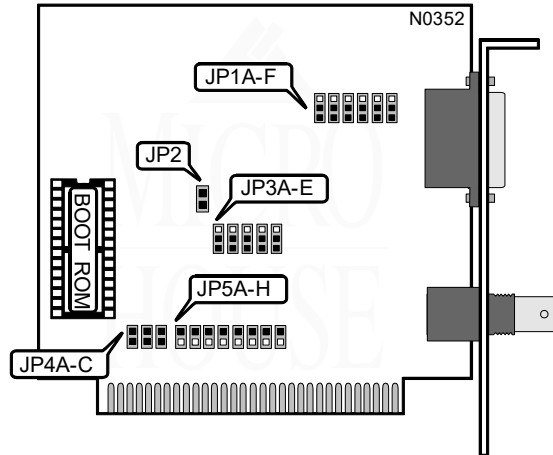


LONGSHINE MICROSYSTEM, INC.  
LCS-8834 (REV. C)

**NIC Type** Ethernet  
**Transfer Rate** 10Mbps  
**Data Bus** 8-bit ISA  
**Topology** Linear Bus  
**Wiring Type** RG58A/U 50ohm coaxial  
 AUI transceiver via DB-15 port  
**Boot ROM** Available



CABLE TYPE	
Type	JP1A - JP1F
iRG58A/U 50ohm coaxial	Pins 2 & 3 closed
AUI transceiver via DB-15 port	Pins 1 & 2 closed

BOOT ROM	
Setting	JP2
iDisabled	Open
Enabled	Closed

INTERUPT REQUEST				
IRQ	JP5A	JP5B	JP5C	JP5D
2/9	Closed	Open	Open	Open
i3	Open	Closed	Open	Open
4	Open	Open	Closed	Open
5	Open	Open	Open	Closed

Continued on next page . . .

LONGSHINE MICROSYSTEM, INC.  
LCS-8834 (REV. C)

... continued from previous page

DMA CHANNEL				
Channel	JP5E	JP5F	JP5G	JP5H
iDisabled	JP5E/pin 1 connected to JP5F/pin 1 and JP5G/pin 1 connected to JP5H/pin 1			
DMA1	Closed	Open	Closed	Open
DMA3	Closed	Open	Open	Closed

BASE MEMORY ADDRESS					
Address	JP3A	JP3B	JP3C	JP3D	JP3E
C000h	Pins 1 & 2	Pins 1 & 2	Pins 1 & 2	Pins 1 & 2	Pins 1 & 2
C200h	Pins 2 & 3	Pins 1 & 2	Pins 1 & 2	Pins 1 & 2	Pins 1 & 2
C400h	Pins 1 & 2	Pins 2 & 3	Pins 1 & 2	Pins 1 & 2	Pins 1 & 2
C600h	Pins 2 & 3	Pins 2 & 3	Pins 1 & 2	Pins 1 & 2	Pins 1 & 2
iC800h	Pins 1 & 2	Pins 1 & 2	Pins 2 & 3	Pins 1 & 2	Pins 1 & 2
CA00h	Pins 2 & 3	Pins 1 & 2	Pins 2 & 3	Pins 1 & 2	Pins 1 & 2
CC00h	Pins 1 & 2	Pins 2 & 3	Pins 2 & 3	Pins 1 & 2	Pins 1 & 2
CE00h	Pins 2 & 3	Pins 2 & 3	Pins 2 & 3	Pins 1 & 2	Pins 1 & 2
D000h	Pins 1 & 2	Pins 1 & 2	Pins 1 & 2	Pins 2 & 3	Pins 1 & 2
D200h	Pins 2 & 3	Pins 1 & 2	Pins 1 & 2	Pins 2 & 3	Pins 1 & 2
D400h	Pins 1 & 2	Pins 2 & 3	Pins 1 & 2	Pins 2 & 3	Pins 1 & 2
D600h	Pins 2 & 3	Pins 2 & 3	Pins 1 & 2	Pins 2 & 3	Pins 1 & 2
D800h	Pins 1 & 2	Pins 1 & 2	Pins 2 & 3	Pins 2 & 3	Pins 1 & 2
DA00h	Pins 2 & 3	Pins 1 & 2	Pins 2 & 3	Pins 2 & 3	Pins 1 & 2
DC00h	Pins 1 & 2	Pins 2 & 3	Pins 2 & 3	Pins 2 & 3	Pins 1 & 2
DE00h	Pins 2 & 3	Pins 2 & 3	Pins 2 & 3	Pins 2 & 3	Pins 1 & 2
E000h	Pins 1 & 2	Pins 1 & 2	Pins 1 & 2	Pins 1 & 2	Pins 2 & 3
E200h	Pins 2 & 3	Pins 1 & 2	Pins 1 & 2	Pins 1 & 2	Pins 2 & 3
E400h	Pins 1 & 2	Pins 2 & 3	Pins 1 & 2	Pins 1 & 2	Pins 2 & 3
E600h	Pins 2 & 3	Pins 2 & 3	Pins 1 & 2	Pins 1 & 2	Pins 2 & 3
E800h	Pins 1 & 2	Pins 1 & 2	Pins 2 & 3	Pins 1 & 2	Pins 2 & 3
EA00h	Pins 2 & 3	Pins 1 & 2	Pins 2 & 3	Pins 1 & 2	Pins 2 & 3
EC00h	Pins 1 & 2	Pins 2 & 3	Pins 2 & 3	Pins 1 & 2	Pins 2 & 3
EE00h	Pins 2 & 3	Pins 2 & 3	Pins 2 & 3	Pins 1 & 2	Pins 2 & 3
F000h	Pins 1 & 2	Pins 1 & 2	Pins 1 & 2	Pins 2 & 3	Pins 2 & 3
F200h	Pins 2 & 3	Pins 1 & 2	Pins 1 & 2	Pins 2 & 3	Pins 2 & 3

Notes: Pins designated should be in the closed position.  
Addresses C000h - C600h and E000h & E200h cannot be used in a PC/AT class machine.  
Addresses C800h & CA00h cannot be used in a PC/XT class machine.

Continued on next page ...

... continued from previous page

I/O BASE ADDRESS			
Address	IOA	IOB	IOC
300h	Closed	Closed	Closed
320h	Closed	Closed	Open
340h	Closed	Open	Closed
360h	Closed	Open	Open
380h	Open	Closed	Closed
3A0h	Open	Closed	Open
3C0h	Open	Open	Closed
3E0h	Open	Open	Open