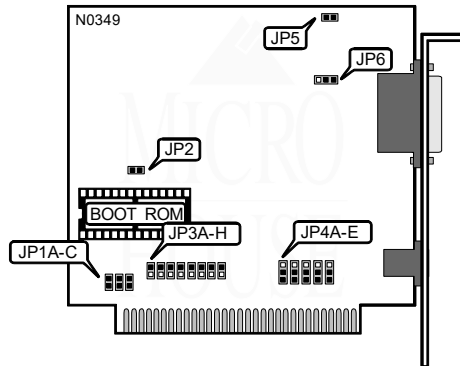


LONGSHINE MICROSYSTEM, INC.
LCS-8834T (REV. B)

NIC Type	Ethernet
Transfer Rate	10Mbps
Data Bus	8-bit ISA
Topology	Star
Wiring Type	Shielded/Unshielded twisted pair
	AUI transceiver via DB-15 port
Boot ROM	Available



I/O BASE ADDRESS			
Address	JP1A	JP1B	JP1C
300h	Closed	Closed	Closed
320h	Closed	Closed	Open
340h	Closed	Open	Closed
360h	Closed	Open	Open
380h	Open	Closed	Closed
3A0h	Open	Closed	Open
3C0h	Open	Open	Closed
3E0h	Open	Open	Open

BOOT ROM	
Setting	JP2
Disabled	Open
Enabled	Closed

INTERUPT REQUEST				
IRQ	JP3A	JP3B	JP3C	JP3D
2/9	Closed	Open	Open	Open
3	Open	Closed	Open	Open
4	Open	Open	Closed	Open
5	Open	Open	Open	Closed

Continued on next page . . .

LONGSHINE MICROSYSTEM, INC.
LCS-8834T (REV. B)

... continued from previous page

DMA CHANNEL				
Channel	JP3E	JP3F	JP3G	JP3H
iDisabled	JP3E/pin 1 connected to JP3F/pin 1 and JP3G/pin 1 connected to JP3H/pin 1			
DMA1	Closed	Open	Closed	Open
DMA3	Closed	Open	Open	Closed

BASE MEMORY ADDRESS					
Address	JP4A	JP4B	JP4C	JP4D	JP4E
C000h	Pins 1 & 2	Pins 1 & 2	Pins 1 & 2	Pins 1 & 2	Pins 1 & 2
C200h	Pins 2 & 3	Pins 1 & 2	Pins 1 & 2	Pins 1 & 2	Pins 1 & 2
C400h	Pins 1 & 2	Pins 2 & 3	Pins 1 & 2	Pins 1 & 2	Pins 1 & 2
C600h	Pins 2 & 3	Pins 2 & 3	Pins 1 & 2	Pins 1 & 2	Pins 1 & 2
iC800h	Pins 1 & 2	Pins 1 & 2	Pins 2 & 3	Pins 1 & 2	Pins 1 & 2
CA00h	Pins 2 & 3	Pins 1 & 2	Pins 2 & 3	Pins 1 & 2	Pins 1 & 2
CC00h	Pins 1 & 2	Pins 2 & 3	Pins 2 & 3	Pins 1 & 2	Pins 1 & 2
CE00h	Pins 2 & 3	Pins 2 & 3	Pins 2 & 3	Pins 1 & 2	Pins 1 & 2
D000h	Pins 1 & 2	Pins 1 & 2	Pins 1 & 2	Pins 2 & 3	Pins 1 & 2
D200h	Pins 2 & 3	Pins 1 & 2	Pins 1 & 2	Pins 2 & 3	Pins 1 & 2
D400h	Pins 1 & 2	Pins 2 & 3	Pins 1 & 2	Pins 2 & 3	Pins 1 & 2
D600h	Pins 2 & 3	Pins 2 & 3	Pins 1 & 2	Pins 2 & 3	Pins 1 & 2
D800h	Pins 1 & 2	Pins 1 & 2	Pins 2 & 3	Pins 2 & 3	Pins 1 & 2
DA00h	Pins 2 & 3	Pins 1 & 2	Pins 2 & 3	Pins 2 & 3	Pins 1 & 2
DC00h	Pins 1 & 2	Pins 2 & 3	Pins 2 & 3	Pins 2 & 3	Pins 1 & 2
DE00h	Pins 2 & 3	Pins 2 & 3	Pins 2 & 3	Pins 2 & 3	Pins 1 & 2
E000h	Pins 1 & 2	Pins 1 & 2	Pins 1 & 2	Pins 1 & 2	Pins 2 & 3
E200h	Pins 2 & 3	Pins 1 & 2	Pins 1 & 2	Pins 1 & 2	Pins 2 & 3
E400h	Pins 1 & 2	Pins 2 & 3	Pins 1 & 2	Pins 1 & 2	Pins 2 & 3
E600h	Pins 2 & 3	Pins 2 & 3	Pins 1 & 2	Pins 1 & 2	Pins 2 & 3
E800h	Pins 1 & 2	Pins 1 & 2	Pins 2 & 3	Pins 1 & 2	Pins 2 & 3
EA00h	Pins 2 & 3	Pins 1 & 2	Pins 2 & 3	Pins 1 & 2	Pins 2 & 3
EC00h	Pins 1 & 2	Pins 2 & 3	Pins 2 & 3	Pins 1 & 2	Pins 2 & 3
EE00h	Pins 2 & 3	Pins 2 & 3	Pins 2 & 3	Pins 1 & 2	Pins 2 & 3
F000h	Pins 1 & 2	Pins 1 & 2	Pins 1 & 2	Pins 2 & 3	Pins 2 & 3
F200h	Pins 2 & 3	Pins 1 & 2	Pins 1 & 2	Pins 2 & 3	Pins 2 & 3

Note: Pins designated should be in the closed position.

CABLE TYPE	
Type	JP5
iShielded/Unshielded twisted pair	Closed
AUI transceiver via DB-15 port	Open

Continued on next page . . .

LONGSHINE MICROSYSTEM, INC.
LCS-8834T (REV. B)

... continued from previous page

LINK INTEGRITY TEST	
Setting	JP6
Enabled	Pins 2 & 3 closed
Disabled	Pins 1 & 2 closed
Note: Link integrity testing is only operational when the cable type is shielded/unshielded twisted pair.	