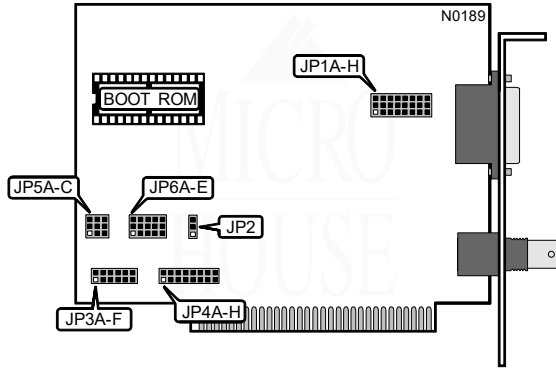


D-LINK  
DE-100 for PC/XT/AT

**NIC Type** Ethernet  
**Transfer Rate** 10Mbps  
**Data Bus** 8-bit ISA  
**Topology** Linear Bus  
**Wiring Type** RG-58A/U 50ohm coaxial  
 AUI transceiver via DB-15 port  
**Boot ROM** Available



CABLE TYPE	
Type	JP1/Jumpers 1-7
iRG-58A/U 50ohm coaxial	Pins 1 & 2 Closed
AUI transceiver via DB-15 port	Pins 2 & 3 Closed

BOOT ROM	
Setting	JP2
iDisabled	Pins 1 & 2 Closed
Enabled	Pins 2 & 3 Closed

INTERRUPT REQUEST - JP3						
IRQ	Jumper 1	Jumper 2	Jumper 3	Jumper 4	Jumper 5	Jumper 6
2	Closed	Open	Open	Open	Open	Open
i3	Open	Closed	Open	Open	Open	Open
4	Open	Open	Closed	Open	Open	Open
5	Open	Open	Open	Closed	Open	Open
6	Open	Open	Open	Open	Closed	Open
7	Open	Open	Open	Open	Open	Closed

Continued on next page . . .

# D-LINK DE-100 for PC/XT/AT

... continued from previous page

BASE MEMORY ADDRESS			
Address	JP5/Jumper 1	JP5B	JP5C
C8000h	Pins 1 & 2 Closed	Pins 2 & 3 Closed	Pins 1 & 2 Closed
CC000h	Pins 2 & 3 Closed	Pins 2 & 3 Closed	Pins 1 & 2 Closed
iD0000h	Pins 1 & 2 Closed	Pins 1 & 2 Closed	Pins 2 & 3 Closed
D4000h	Pins 2 & 3 Closed	Pins 1 & 2 Closed	Pins 2 & 3 Closed
D8000h	Pins 1 & 2 Closed	Pins 2 & 3 Closed	Pins 2 & 3 Closed
DC000h	Pins 2 & 3 Closed	Pins 2 & 3 Closed	Pins 2 & 3 Closed

I/O BASE ADDRESS - JP6					
Address	Jumper 1	Jumper 2	Jumper 3	Jumper 4	Jumper 5
100h	Pins 1&2 Closed	Pins 2&3 Closed	Pins 1&2 Closed	Pins 1&2 Closed	Pins 1&2 Closed
120h	Pins 1&2 Closed	Pins 2&3 Closed	Pins 1&2 Closed	Pins 1&2 Closed	Pins 2&3 Closed
140h	Pins 1&2 Closed	Pins 2&3 Closed	Pins 1&2 Closed	Pins 2&3 Closed	Pins 1&2 Closed
160h	Pins 1&2 Closed	Pins 2&3 Closed	Pins 1&2 Closed	Pins 2&3 Closed	Pins 2&3 Closed
180h	Pins 1&2 Closed	Pins 2&3 Closed	Pins 2&3 Closed	Pins 1&2 Closed	Pins 1&2 Closed
1A0h	Pins 1&2 Closed	Pins 2&3 Closed	Pins 2&3 Closed	Pins 1&2 Closed	Pins 2&3 Closed
1C0h	Pins 1&2 Closed	Pins 2&3 Closed	Pins 2&3 Closed	Pins 2&3 Closed	Pins 1&2 Closed
1E0h	Pins 1&2 Closed	Pins 2&3 Closed	Pins 2&3 Closed	Pins 2&3 Closed	Pins 2&3 Closed
200h	Pins 2&3 Closed	Pins 1&2 Closed	Pins 1&2 Closed	Pins 1&2 Closed	Pins 1&2 Closed
220h	Pins 2&3 Closed	Pins 1&2 Closed	Pins 1&2 Closed	Pins 1&2 Closed	Pins 2&3 Closed
240h	Pins 2&3 Closed	Pins 1&2 Closed	Pins 1&2 Closed	Pins 2&3 Closed	Pins 1&2 Closed
260h	Pins 2&3 Closed	Pins 1&2 Closed	Pins 1&2 Closed	Pins 2&3 Closed	Pins 2&3 Closed
280h	Pins 2&3 Closed	Pins 1&2 Closed	Pins 2&3 Closed	Pins 1&2 Closed	Pins 1&2 Closed
2A0h	Pins 2&3 Closed	Pins 1&2 Closed	Pins 2&3 Closed	Pins 1&2 Closed	Pins 2&3 Closed
2C0h	Pins 2&3 Closed	Pins 1&2 Closed	Pins 2&3 Closed	Pins 2&3 Closed	Pins 1&2 Closed
2E0h	Pins 2&3 Closed	Pins 1&2 Closed	Pins 2&3 Closed	Pins 2&3 Closed	Pins 2&3 Closed
i300h	Pins 2&3 Closed	Pins 2&3 Closed	Pins 1&2 Closed	Pins 1&2 Closed	Pins 1&2 Closed
320h	Pins 2&3 Closed	Pins 2&3 Closed	Pins 1&2 Closed	Pins 1&2 Closed	Pins 2&3 Closed
340h	Pins 2&3 Closed	Pins 2&3 Closed	Pins 1&2 Closed	Pins 2&3 Closed	Pins 1&2 Closed
360h	Pins 2&3 Closed	Pins 2&3 Closed	Pins 1&2 Closed	Pins 2&3 Closed	Pins 2&3 Closed
380h	Pins 2&3 Closed	Pins 2&3 Closed	Pins 2&3 Closed	Pins 1&2 Closed	Pins 1&2 Closed
3A0h	Pins 2&3 Closed	Pins 2&3 Closed	Pins 2&3 Closed	Pins 1&2 Closed	Pins 2&3 Closed
3C0h	Pins 2&3 Closed	Pins 2&3 Closed	Pins 2&3 Closed	Pins 2&3 Closed	Pins 1&2 Closed
3E0h	Pins 2&3 Closed	Pins 2&3 Closed	Pins 2&3 Closed	Pins 2&3 Closed	Pins 2&3 Closed

DMA CHANNEL- JP4				
Channel	Jumpers 1 & 5	Jumpers 2 & 6	Jumpers 3 & 7	Jumpers 4 & 8
iDisabled	Open	Open	Open	Closed
DMA1	Closed	Open	Open	Open
DMA2	Open	Closed	Open	Open
DMA3	Open	Open	Closed	Open