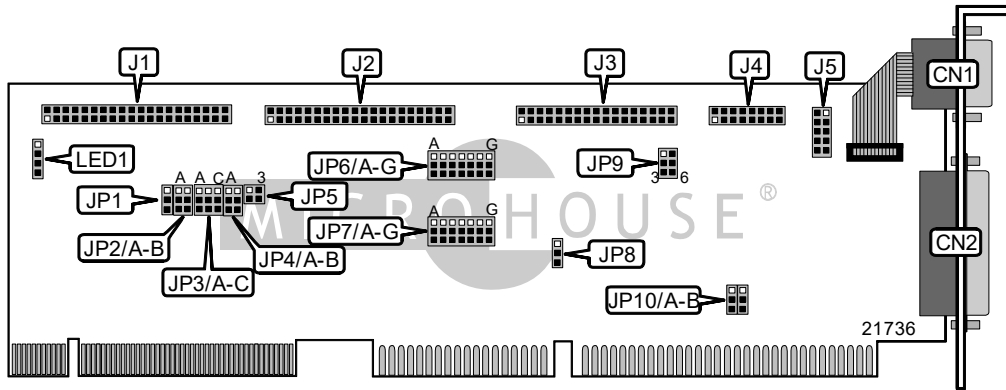


# PROMISE TECHNOLOGY, INC. EIDE2300 PLUS (VER. 2)

Card Type  
I/O options  
Hard Drives supported  
Floppy drives supported  
Data Bus  
Card Size

Hard drive controller card/Multi I/O card  
Serial ports (2), parallel port, game port  
Two EIDE drives, two IDE drives  
Two 1.2MB, 1.44MB or 2.88MB drives  
32-bit VESA Local Bus  
Full-length, half-height card



CONNECTIONS			
Function	Location	Function	Location
9-pin serial port 1 - external	CN1	34-pin cable connector - floppy drive	J3
25-pin parallel port - external	CN2	16-pin game port	J4
40-pin primary EIDE(AT) connector	J1	10-pin serial port 2 - internal	J5
40-pin secondary IDE(AT) connector	J2	4-pin connector - drive active LED	LED1

USER CONFIGURABLE SETTINGS			
Function	Label	Position	
í LBA disabled	JP1	Pins 1 & 2 closed	
LBA enabled	JP1	Pins 2 & 3 closed	
í Factory configured - do not alter	JP7/C	Unidentified	
í Factory configured - do not alter	JP7/D	Unidentified	
í Game port enabled	JP7/G	Pins 1 & 2 closed	
Game port disabled	JP7/G	Pins 2 & 3 closed	
í Parallel port ECP mode enabled	JP8	Pins 1 & 2 closed	
Parallel port ECP mode disabled	JP8	Pins 2 & 3 closed	
í Factory configured - do not alter	JP9	Pins 1 & 2, 4 & 5 closed	

IRQ SELECTION	
IRQ	JP5
EIDE 14, IDE 15	Pins 1 & 2, 3 & 4 closed
EIDE 15, IDE 14	Pins 1 & 3, 2 & 4 closed

EIDE CHANNEL SELECTION		
Channel	JP2/A	JP2/B
í Primary	Pins 1 & 2 closed	Pins 1 & 2 closed
Secondary	Pins 1 & 2 closed	Pins 2 & 3 closed
Disabled	Pins 2 & 3 closed	Pins 2 & 3 closed

Continued on next page . . .

PROMISE TECHNOLOGY, INC.  
EIDE2300 PLUS (VER. 2)

... continued from previous page

PIO IDE SPEED SELECTION		
SPEED	JP4/A	JP4/B
Mode 0	Pins 1 & 2 closed	Pins 1 & 2 closed
Mode 2	Pins 2 & 3 closed	Pins 1 & 2 closed
Mode 4	Pins 1 & 2 closed	Pins 2 & 3 closed
Mode 6	Pins 2 & 3 closed	Pins 2 & 3 closed

ECP MODE ADDRESS SELECTION		
Mode	JP10/A	JP10/B
DMA1	Pins 1 & 2 closed	Pins 1 & 2 closed
DMA3	Pins 2 & 3 closed	Pins 2 & 3 closed

SERIAL PORT 1 ADDRESS SELECTION		
Setting	JP6/A	JP6/B
COM1 (3F8h)	Pins 1 & 2 closed	Pins 1 & 2 closed
COM2 (2F8h)	Pins 1 & 2 closed	Pins 2 & 3 closed
COM3 (3E8h)	Pins 2 & 3 closed	Pins 1 & 2 closed
Disabled	Pins 2 & 3 closed	Pins 2 & 3 closed

SERIAL PORT 2 ADDRESS SELECTION		
Setting	JP6/C	JP6/D
COM1 (3F8h)	Pins 1 & 2 closed	Pins 2 & 3 closed
COM2 (2F8h)	Pins 1 & 2 closed	Pins 1 & 2 closed
COM4 (2E8h)	Pins 2 & 3 closed	Pins 1 & 2 closed
Disabled	Pins 2 & 3 closed	Pins 2 & 3 closed

BIOS ADDRESS SELECTION			
Address	JP3/A	JP3/B	JP3/C
DC00h	Pins 1 & 2 closed	Pins 1 & 2 closed	Pins 1 & 2 closed
D8000h	Pins 2 & 3 closed	Pins 1 & 2 closed	Pins 1 & 2 closed
D4000h	Pins 1 & 2 closed	Pins 2 & 3 closed	Pins 1 & 2 closed
D0000h	Pins 2 & 3 closed	Pins 2 & 3 closed	Pins 1 & 2 closed
CC000h	Pins 1 & 2 closed	Pins 1 & 2 closed	Pins 2 & 3 closed
C8000h	Pins 2 & 3 closed	Pins 1 & 2 closed	Pins 2 & 3 closed
Reserved	Pins 1 & 2 closed	Pins 2 & 3 closed	Pins 2 & 3 closed
Disabled	Pins 2 & 3 closed	Pins 2 & 3 closed	Pins 2 & 3 closed

PARALLEL PORT INTERRUPT SELECTION			
IRQ	JP6/E	JP6/F	JP6/G
IRQ5 (278h)	Pins 1 & 2 closed	Pins 1 & 2 closed	Pins 2 & 3 closed
IRQ7 (278h)	Pins 1 & 2 closed	Pins 1 & 2 closed	Pins 1 & 2 closed
IRQ5 (378h)	Pins 1 & 2 closed	Pins 2 & 3 closed	Pins 2 & 3 closed
IRQ7 (378h)	Pins 1 & 2 closed	Pins 2 & 3 closed	Pins 1 & 2 closed
Disabled	Pins 2 & 3 closed	Pins 2 & 3 closed	Open

Continued on next page ...

PROMISE TECHNOLOGY, INC.  
EIDE2300 PLUS (VER. 2)

. . . continued from previous page

PARALLEL PORT MODE SELECTION		
Setting	JP7/A	JP7/B
í ECP mode	Pins 1 & 2 closed	Pins 1 & 2 closed
EPP mode	Pins 2 & 3 closed	Pins 1 & 2 closed
Normal output only	Pins 2 & 3 closed	Pins 2 & 3 closed

FLOPPY CONTROLLER CHANNEL SELECTION		
Channel	JP7/E	JP7/F
í Primary	Pins 1 & 2 closed	Pins 1 & 2 closed
Secondary	Pins 1 & 2 closed	Pins 2 & 3 closed
Disabled	Pins 2 & 3 closed	Pins 2 & 3 closed