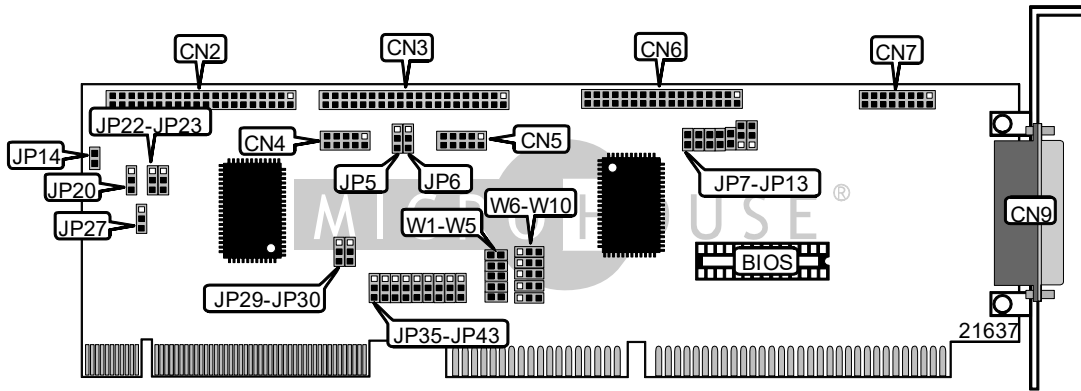


# KENTECH COMPUTER (HK), LTD. EVLSIO-V2-003 (PDC20230)

Card Type	Hard drive controller card
Hard Drives supported	Four EIDE drives
Floppy drives supported	Two 360KB, 720KB, 1.2MB, or 1.44MB drives
Data Bus	32-bit VESA Local Bus
Card Size	Full-length, half-height card



CONNECTIONS				
Function	Location	Function	Location	
2-pin connector - drive active LED	JP14	10-pin serial port 2 - internal	CN5	
40-pin IDE interface 1	CN2	34-pin cable connector - floppy drive	CN6	
40-pin IDE interface 2	CN3	16-pin game port	CN7	
10-pin serial port 1 - internal	CN4	25-pin parallel port - external	CN9	

Continued on next page . . .

KENTECH COMPUTER (HK), LTD.  
 EVLSIO-V2-003 (PDC20230)

... continued from previous page

USER CONFIGURABLE SETTINGS		
Function	Label	Position
í IDE interface 2 enabled	JP5	Pins 1 & 2 closed
IDE interface 2 disabled	JP5	Pins 2 & 3 closed
IDE interface 2 select address is 1F0h	JP6	Pins 1 & 2 closed
í IDE interface 2 select address is 170h	JP6	Pins 2 & 3 closed
í Factory configured - do not alter	JP19	Pins 1 & 2 closed
í IDE interface 1 enabled	JP20	Pins 2 & 3 closed
IDE interface 1 disabled	JP20	Pins 1 & 2 closed
í IDE interface 1 select address is 1F0h	JP27	Pins 1 & 2 closed
IDE interface 1 select address is 170h	JP27	Pins 2 & 3 closed
IDE interface 2 select IRQ14	JP29	Pins 1 & 2 closed
í IDE interface 2 select IRQ15	JP29	Pins 2 & 3 closed
í IDE interface 1 select IRQ14	JP30	Pins 1 & 2 closed
IDE interface 1 select IRQ15	JP30	Pins 2 & 3 closed
í Floppy drive port address 3F0-3F7	JP35	Pins 1 & 2 closed
Floppy drive port address 370-377	JP35	Pins 2 & 3 closed
í Serial port 1 enabled	JP36	Pins 1 & 2 closed
Serial port 1 disabled	JP36	Pins 2 & 3 closed
í Floppy drive interface enabled	JP38	Pins 1 & 2 closed
Floppy drive interface disabled	JP38	Pins 2 & 3 closed
í Game port enabled	JP39	Pins 1 & 2 closed
Game port disabled	JP39	Pins 2 & 3 closed
í Parallel port enabled	JP42	Pins 1 & 2 closed
Parallel port disabled	JP42	Pins 2 & 3 closed
í Serial port 2 enabled	JP43	Pins 1 & 2 closed
Serial port 2 disabled	JP43	Pins 2 & 3 closed

IDE DRIVE SPEED SELECTION		
Speed	JP22	JP23
Speed 0	Pins 2 & 3 closed	Pins 2 & 3 closed
Speed 2	Pins 1 & 2 closed	Pins 2 & 3 closed
Speed 4	Pins 2 & 3 closed	Pins 1 & 2 closed
Speed 6	Pins 1 & 2 closed	Pins 1 & 2 closed

PRIMARY IDE CONTROLLER SELECTION				
Primary	JP6	JP27	JP29	JP30
IDE interface 1	Pins 2 & 3 closed	Pins 1 & 2 closed	Pins 2 & 3 closed	Pins 1 & 2 closed
IDE interface 2	Pins 1 & 2 closed	Pins 2 & 3 closed	Pins 1 & 2 closed	Pins 2 & 3 closed

ROM BIOS SELECTION		
ROM-BIOS TYPE	JP12	JP13
27256	Pins 1 & 2 closed	Pins 1 & 2 closed
27512	Pins 2 & 3 closed	Pins 2 & 3 closed

Continued on next page . . .

KENTECH COMPUTER (HK), LTD.  
 EVLSIO-V2-003 (PDC20230)

... continued from previous page

MEMORY ADDRESS SELECTION					
Address	JP7	JP8	JP9	JP10	JP11
E8000	Closed	Open	Open	Open	Open
E0000	Open	Closed	Open	Open	Open
D8000	Open	Open	Closed	Open	Open
í D0000	Open	Open	Open	Closed	Open
C8000	Open	Open	Open	Open	Closed

PARALLEL PORT ADDRESS SELECTION		
Setting	Label	Position
í LPT1 (378h)	JP37	Pins 1 & 2 closed
LPT2 (278h)	JP37	Pins 2 & 3 closed

SERIAL PORT 1 ADDRESS SELECTION		
Setting	Label	Position
í COM1 (3F8h)	JP41	Pins 1 & 2 closed
COM3 (3E8h)	JP41	Pins 2 & 3 closed

SERIAL PORT 2 ADDRESS SELECTION		
Setting	Label	Position
í COM2 (2F8h)	JP40	Pins 1 & 2 closed
COM4 (2E8h)	JP40	Pins 2 & 3 closed

SERIAL PORT 1 INTERRUPT SELECTION					
IRQ	W6	W7	W8	W9	W10
IRQ3	Open	Open	Open	Open	2 & 3
IRQ4	Open	Open	Open	2 & 3	Open
IRQ5	Open	Open	2 & 3	Open	Open
IRQ7	Open	2 & 3	Open	Open	Open
IRQ9	2 & 3	Open	Open	Open	Open

Note: Pins designated should be in the closed position.

SERIAL PORT 2 INTERRUPT SELECTION					
IRQ	W6	W7	W8	W9	W10
IRQ3	Open	Open	Open	Open	1 & 2
IRQ4	Open	Open	Open	1 & 2	Open
IRQ5	Open	Open	1 & 2	Open	Open
IRQ7	Open	1 & 2	Open	Open	Open
IRQ9	1 & 2	Open	Open	Open	Open

Note: Pins designated should be in the closed position.

PARALLEL PORT INTERRUPT SELECTION					
IRQ	W1	W2	W3	W4	W5
IRQ3	Open	Open	Open	Open	Closed
IRQ4	Open	Open	Open	Closed	Open
IRQ5	Open	Open	Closed	Open	Open
IRQ7	Open	Closed	Open	Open	Open
IRQ9	Closed	Open	Open	Open	Open