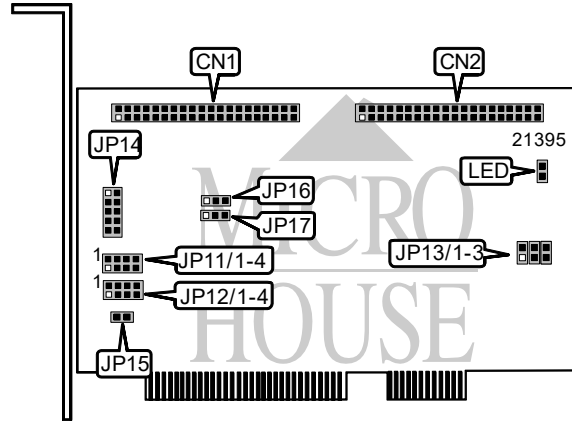


# BIOTEQ IDE-3296 RMC

Data Bus  
Card Size  
Hard Drives supported  
Floppy drives supported

32-bit PCI  
Half-length, half-height card  
Four IDE (AT) drives  
None



CONNECTIONS			
Function	Location	Function	Location
40-pin primary IDE(AT) connector	CN1	10-pin connector - paddlecard (opt)	JP14
40-pin secondary IDE(AT) connector	CN2	2-pin connector - drive active LED	LED

USER CONFIGURABLE SETTINGS			
Function	Label	Position	
í Disk change enabled	JP13/1	Closed	
í Disk change disabled	JP13/1	Open	
í IDE base address enabled	JP13/2	Open	
í IDE base address disabled	JP13/2	Closed	
í IDE(AT) interface enabled	JP13/3	Open	
í IDE(AT) interface disabled	JP13/3	Closed	
í Native mode enabled	JP15	Closed	
í Native mode disabled	JP15	Open	
í Secondary INT from drive	JP16	Pins 1 & 2 closed	
í Secondary INT from chip	JP16	Pins 2 & 3 closed	
í Primary INT from drive	JP17	Pins 1 & 2 closed	
í Primary INT from chip	JP17	Pins 2 & 3 closed	

PCI INTERRUPT SELECTION FOR PRIMARY IDE DRIVE				
Setting	JP12/1	JP12/2	JP12/3	JP12/4
INTA (non-inverted)	Closed	Open	Open	Open
INTA (inverted)	Open	Open	Open	Closed
INTB (inverted)	Open	Open	Closed	Open
INTC (inverted)	Open	Closed	Open	Open

Note: In normal operation, JP12/4 is closed with primary drive INT14 using INTA. For OPTi54C and Pentium MBD, set JP12/1 closed, selecting non-inverted INTA.

Continued on next page ...

# BIOTEQ IDE-3296 RMC

... continued from last page

PCI INTERRUPT SELECTION FOR SECONDARY IDE DRIVE				
Setting	JP11/1	JP11/2	JP11/3	JP11/4
INTB (non-inverted)	Closed	Open	Open	Open
INTA (inverted)	Open	Open	Open	Closed
INTB (inverted)	Open	Open	Closed	Open
INTC (inverted)	Open	Closed	Open	Open

Note: In normal operation, JP12/4 is closed with primary drive INT14 using INTA. For OPTi54C and Pentium MBD, set JP12/1 closed, selecting non-inverted INTA.

MISCELLANEOUS TECHNICAL NOTE
If your system does not recognize PCI INT, remove jumpers JP11 and JP12 and install paddlecard.