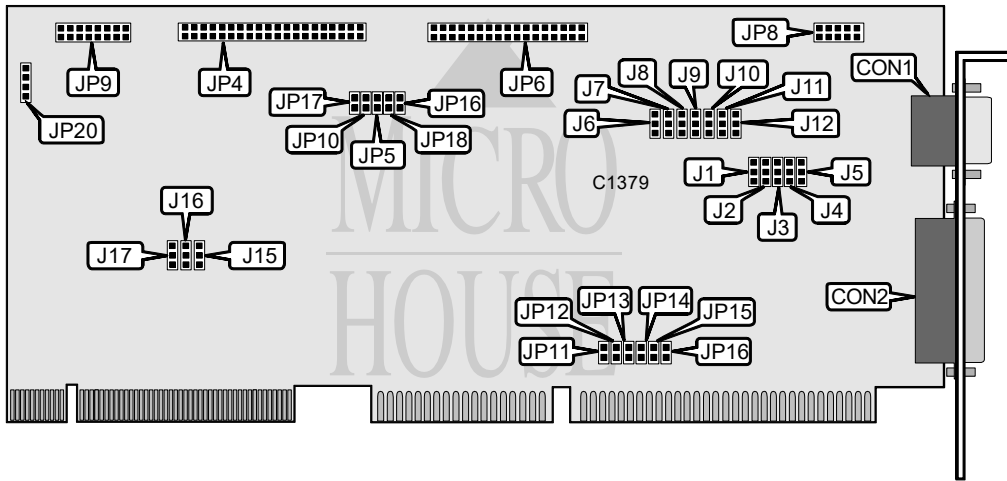


TYAN COMPUTER CORPORATION

S 1332

I/O Options	Floppy drive interface, IDE interface, game port, parallel port, serial ports (2)
Data Bus	32-bit VESA local bus
Card Size	Full height, full length
Hard Drives Supported	Two IDE-AT devices
Floppy Drives Supported	Unidentified



CONNECTIONS			
Function	Label	Function	Label
9-pin serial port 1 - external	CON1	10-pin serial port 2 - internal	JP8
25-pin parallel port - external	CON2	16-pin game port	JP9
40-pin primary IDE(AT) connector	JP4	4-pin drive active LED	JP20
34-pin cable connector - floppy drive	JP6		

USER CONFIGURABLE SETTINGS		
Setting	Label	Position
í Floppy interface enabled	J1	Pins 2 & 3 closed
Floppy interface disabled	J1	Pins 1 & 2 closed
í Floppy drive order is normal (A:, B:)	J3	Pins 2 & 3 closed
Floppy drive order is reversed (B:, A:)	J3	Pins 1 & 2 closed
í IDE(AT) interface enabled	J4	Pins 2 & 3 closed
IDE(AT) interface disabled	J4	Pins 1 & 2 closed
í Game port enabled	J12	Pins 2 & 3 closed
Game port disabled	J12	Pins 1 & 2 closed
í Two IDE(AT) drives connected	JP5	Open
One IDE(AT) drive connected	JP5	Closed
í Parallel port is bi-directional	JP7	Closed
Parallel port is uni-directional	JP7	Open
í IRQ14 is used by IDE(AT) interface	JP10	Closed
IRQ14 is not used	JP10	Open

Continued on next page. . .

TYAN COMPUTER CORPORATION
S 1 3 3 2

. . . continued from previous page

USER CONFIGURABLE SETTINGS (CON'T)		
Setting	Label	Position
í IRQ3 used by COM2: and COM4:	JP11	Closed
IRQ3 not used	JP11	Open
í IRQ4 used by COM1: and COM3:	JP12	Closed
IRQ4 not used	JP12	Open
í IRQ6 used by floppy controller	JP13	Closed
IRQ6 not used	JP13	Open

IDE(AT) INTERFACE ADDRESS SELECTION		
Setting	J2	J5
í 1F0h-1F7h, 3F0h	Pins 2 & 3 closed	Pins 2 & 3 closed
170h-177h, 370h	Pins 1 & 2 closed	Pins 1 & 2 closed

VESA BUS CLOCK SPEED SELECTION		
Setting	J16	J17
25MHz	Pins 1 & 2 closed	Pins 1 & 2 closed
33MHz	Pins 2 & 3 closed	Pins 1 & 2 closed
40MHz	Pins 1 & 2 closed	Pins 2 & 3 closed
í 50MHz	Pins 2 & 3 closed	Pins 2 & 3 closed

PARALLEL PORT ADDRESS SELECTION		
Setting	J6	J7
278h	Pins 1 & 2 closed	Pins 1 & 2 closed
í 378h	Pins 2 & 3 closed	Pins 2 & 3 closed
3BCh	Pins 2 & 3 closed	Pins 1 & 2 closed
Disabled	Pins 1 & 2 closed	Pins 2 & 3 closed

SERIAL PORT 1 ADDRESS SELECTION		
Setting	J8	J9
2E8h (COM4:)	Pins 2 & 3 closed	Pins 1 & 2 closed
3E8h (COM3:)	Pins 1 & 2 closed	Pins 1 & 2 closed
í 3F8h (COM1:)	Pins 2 & 3 closed	Pins 2 & 3 closed
Disabled	Pins 1 & 2 closed	Pins 2 & 3 closed

SERIAL PORT 2 ADDRESS SELECTION		
Setting	J10	J11
2E8h (COM4:)	Pins 1 & 2 closed	Pins 1 & 2 closed
í 2F8h (COM2:)	Pins 2 & 3 closed	Pins 2 & 3 closed
3E8h (COM3:)	Pins 2 & 3 closed	Pins 1 & 2 closed
Disabled	Pins 1 & 2 closed	Pins 2 & 3 closed

Continued on next page. . .

TYAN COMPUTER CORPORATION
S 1332

. . . continued from previous page

PARALLEL PORT INTERRUPT SELECTION		
Setting	JP14	JP15
IRQ5	Closed	Open
í IRQ7	Open	Closed
None	Open	Open

IDE(AT) INTERFACE SELECTION		
Setting	J15	JP17
ISA	Pins 1 & 2 closed	Closed
í VESA	Pins 2 & 3 closed	Open