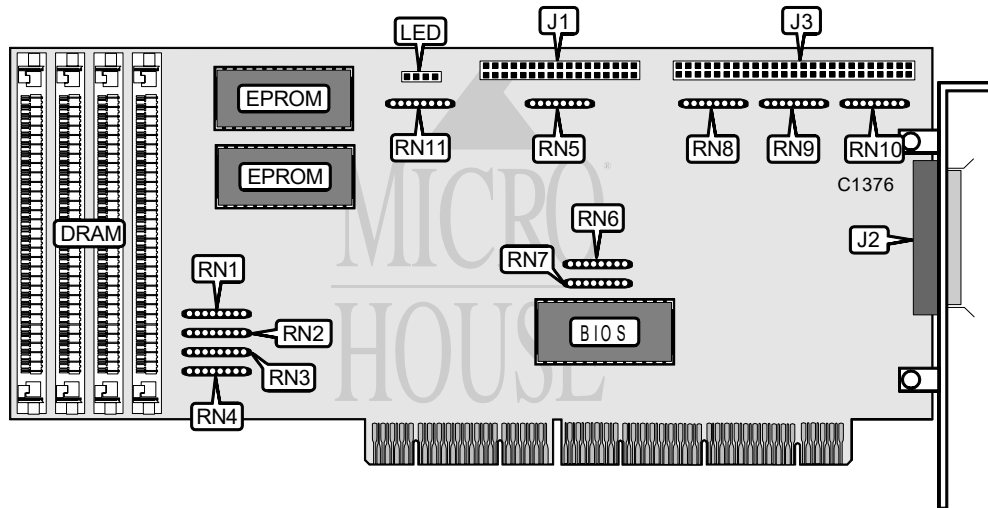


DATA TECHNOLOGY CORPORATION

DTC3290ASE

Maximum Onboard Memory Unidentified
Data Bus EISA
Card Size Full height, three-quarters length
Hard Drives Supported Up to 7 SCSI-2 devices
Floppy Drives Supported Unidentified



CONNECTIONS			
Function	Label	Function	Label
34-pin cable connector - floppy drive	J1	50-pin SCSI connector - internal	J3
50-pin SCSI connector - external	J2	4-pin drive active LED	LED

USER CONFIGURABLE SETTINGS		
Setting	Label	Position
í Factory configured - do not alter	RP1	Unidentified
í Factory configured - do not alter	RP2	Unidentified
í Factory configured - do not alter	RP3	Unidentified
í Factory configured - do not alter	RP4	Unidentified
í Factory configured - do not alter	RP5	Unidentified
í Factory configured - do not alter	RP6	Unidentified
í Factory configured - do not alter	RP7	Unidentified
í Factory configured - do not alter	RP8	Unidentified
í Factory configured - do not alter	RP9	Unidentified
í Factory configured - do not alter	RP10	Unidentified
í Factory configured - do not alter	RP11	Unidentified

DRAM CONFIGURATION

The configuration of the DRAM on this board is unidentified.

SCSI TERMINATION

The method for selecting SCSI termination is unidentified.