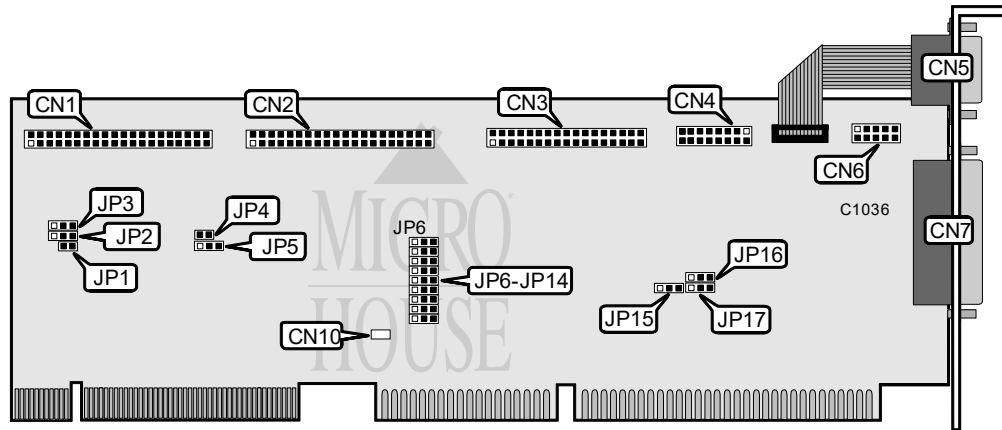


QDI COMPUTER, INC.

VISION QD6580/8663A

Data Bus
Card Size
Hard Drives supported
Floppy drives supported

32-bit VESA Local Bus
Three-quarter length, half-height card
Four IDE (AT) drives
Two 360KB, 720KB, 1.2MB, or 1.44MB drives



CONNECTIONS				
Function	Location	Function	Location	Location
40-pin primary IDE(AT) connector	CN1	9-pin serial port 1 - external	CN5	
40-pin secondary IDE(AT) connector	CN2	10-pin serial port 2 - internal	CN6	
34-pin cable connector - floppy drive	CN3	25-pin parallel port - external	CN7	
16-pin game port	CN4	4-pin connector - drive active LED	CN10	

USER CONFIGURABLE SETTINGS			
Function	Label	Position	
í Primary IDE interface supports disk drives only	JP1	Open	
Primary IDE interface supports disk/non-disk peripherals	JP1	Closed	
í Factory configured - do not alter (sense CLK frequency from VL slot)	JP2	Pins 2 & 3 closed	
í IDE(AT) interface enabled	JP3	Pins 2 & 3 closed	
IDE(AT) interface disabled	JP3	Pins 1 & 2 closed	
í Both IDE(AT) interfaces enabled (1F _{Xh} /3F _{Xh} is primary I/O address & 17X _h /37X _h is secondary address)	JP4	Closed	
One IDE(AT) interface enabled (1F _{Xh} /3F _{Xh} is I/O address)	JP4	Open	
í Chip registers port 0BX _h select	JP5	Pins 2 & 3 closed	
Chip registers port 03X _h select	JP5	Pins 1 & 2 closed	
í Floppy drive interface enabled	JP8	Pins 1 & 2 closed	
Floppy drive interface disabled	JP8	Pins 2 & 3 closed	
í Parallel port I/O address is 378h	JP11	Pins 1 & 2 closed	
Parallel port I/O address is 278h	JP11	Pins 2 & 3 closed	
í Game port enabled	JP14	Pins 1 & 2 closed	
Game port disabled	JP14	Pins 2 & 3 closed	
í Parallel port IRQ 7 select	JP15	Pins 2 & 3 closed	
Parallel port IRQ 5 select	JP15	Pins 1 & 2 closed	
Note: When using a non-disk peripheral, it is advisable to close JP4 and connect it to the secondary port.			

Continued on next page. . .

QDI COMPUTER, INC.
VISION QD6580/8663A

...continued from previous page

DMA CHANNEL SELECTION		
Channel	JP16	JP17
1	Pins 1 & 2 closed	Pins 1 & 2 closed
3	Pins 2 & 3 closed	Pins 2 & 3 closed

SERIAL PORT 1 ADDRESS SELECTION		
Setting	JP6	JP7
COM1	Pins 1 & 2 closed	Pins 1 & 2 closed
COM3	Pins 1 & 2 closed	Pins 2 & 3 closed
Disabled	Pins 2 & 3 closed	Pins 1 & 2 closed
Disabled	Pins 2 & 3 closed	Pins 2 & 3 closed

SERIAL PORT 2 ADDRESS SELECTION		
Setting	JP12	JP13
COM2	Pins 1 & 2 closed	Pins 1 & 2 closed
COM4	Pins 1 & 2 closed	Pins 2 & 3 closed
Disabled	Pins 2 & 3 closed	Pins 1 & 2 closed
Disabled	Pins 2 & 3 closed	Pins 2 & 3 closed

PARALLEL PORT MODE SELECTION		
Setting	JP9	JP10
ECP	Pins 1 & 2 closed	Pins 2 & 3 closed
EPP	Pins 2 & 3 closed	Pins 2 & 3 closed
Bi-Directional	Pins 1 & 2 closed	Pins 1 & 2 closed
Disabled	Pins 2 & 3 closed	Pins 1 & 2 closed