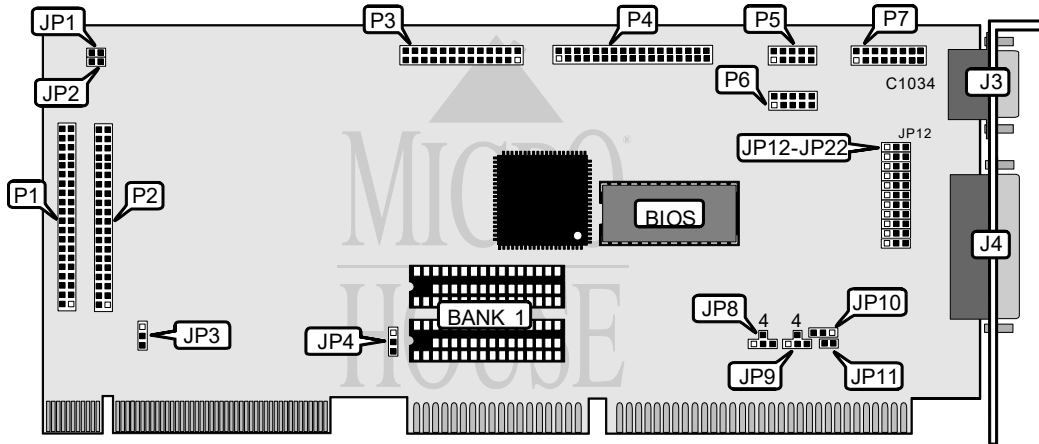


OCEAN INFORMATION SYSTEMS VL-COMBO-2

Data Bus
Card Size
Hard Drives supported
Floppy drives supported

32-bit VESA Local Bus
Three-quarter length, full-height card
Four IDE(AT) interface drives
360KB, 720KB, 1.2MB, or 1.44MB drives



CONNECTIONS			
Function	Location	Function	Location
15-pin connector - VGA port	J3	26-pin feature connector	P3
25-pin parallel port - external	J4	34-pin cable connector - floppy drive	P4
2-pin connector - secondary drive active LED	JP1	10-pin serial port 2 - internal	P5
2-pin connector - primary drive active LED	JP2	10-pin serial port 1 - internal	P6
40-pin secondary IDE(AT) connector	P1	16-pin game port	P7
40-pin primary IDE(AT) connector	P2		

USER CONFIGURABLE SETTINGS			
Function	Label	Position	
í VL-IDE interface enabled	JP3	Pins 1 & 2 closed	
VL-IDE interface disabled	JP3	Pins 2 & 3 closed	
í VL bus normal speed enabled (one wait state)	JP4	Pins 1 & 2 closed	
VL bus turbo speed enabled (zero wait state)	JP4	Pins 2 & 3 closed	
í Factory configured - do not alter	JP8	Unidentified	
í Factory configured - do not alter	JP9	Unidentified	
í IRQ9 disabled	JP10	Pins 1 & 2 closed	
IRQ9 enabled for vertical sync signal	JP10	Pins 2 & 3 closed	
í Factory configured - do not alter	JP11	Open	
í Floppy drive interface enabled	JP12	Pins 1 & 2 closed	
Floppy drive interface disabled	JP12	Pins 2 & 3 closed	
í Serial port 1 enabled	JP13	Pins 1 & 2 closed	
Serial port 1 disabled	JP13	Pins 2 & 3 closed	
í Serial port 2 enabled	JP14	Pins 1 & 2 closed	
Serial port 2 disabled	JP14	Pins 2 & 3 closed	
í Serial port 1 I/O address is 3F8h	JP15	Pins 1 & 2 closed	
Serial port 1 I/O address is 3E8h	JP15	Pins 2 & 3 closed	

Continued on next page. . .

OCEAN INFORMATION SYSTEMS

VL-COMBO-2

...continued from previous page

USER CONFIGURABLE SETTINGS (CONTINUED)		
Function	Label	Position
í Serial port 2 I/O address is 2F8h	JP16	Pins 1 & 2 closed
Serial port 2 I/O address is 2E8h	JP16	Pins 2 & 3 closed
í Parallel port enabled	JP17	Pins 1 & 2 closed
Parallel port disabled	JP17	Pins 2 & 3 closed
í Factory configured - do not alter	JP18	Pins 2 & 3 closed
í Parallel port I/O address is 378h	JP19	Pins 1 & 2 closed
Parallel port I/O address is 278h	JP19	Pins 2 & 3 closed
í Game port enabled	JP20	Pins 1 & 2 closed
Game port disabled	JP20	Pins 2 & 3 closed
í Factory configured - do not alter	JP21	Pins 2 & 3 closed
í Factory configured - do not alter	JP22	Unidentified

VGA DRAM CONFIGURATION		
Size	Bank 0	Bank 1
1MB	1MB	None
2MB	1MB	(2) 256KBx16
Note: The VL-COMBO-2 comes with 1MB of memory installed; the location (Bank 0) is unidentified		