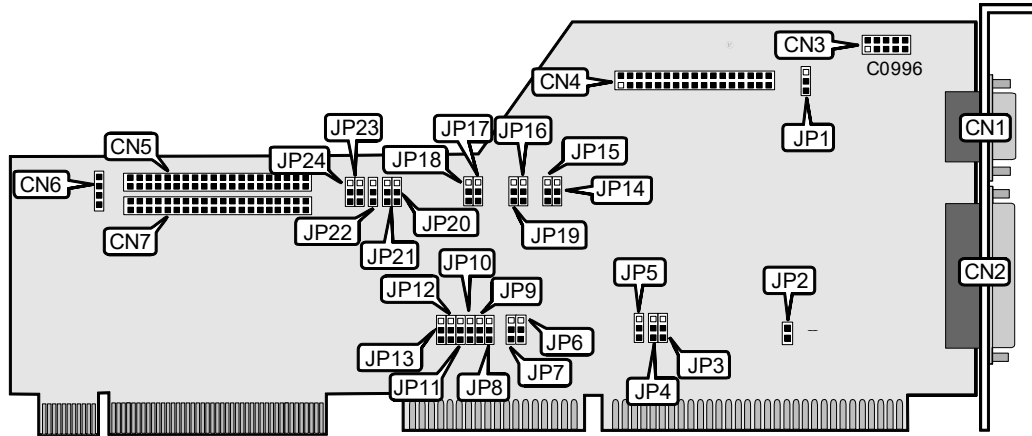


# LAVA COMPUTER MANUFACTURING, INC.

## VL-550

Data Bus  
Card Size  
Hard Drives supported  
Floppy drives supported

32-bit VESA Local Bus  
Three-quarter length, full-height card  
Four EIDE (AT) drives  
Two 360KB, 720KB, 1.2MB, or 1.44MB drives



CONNECTIONS			
Function	Location	Function	Location
9-pin serial port 1 - external	CN1	40-pin primary EIDE(AT) connector	CN5
25-pin parallel port - external	CN2	4-pin connector - drive active LED	CN6
25-pin serial port 2 - internal	CN3	40-pin secondary EIDE(AT) connector	CN7
34-pin cable connector - floppy drive	CN4		

Note: 25-pin serial port 2 connector is attached via ribbon to 10-pin internal connector CN3.

USER CONFIGURABLE SETTINGS			
Function	Label	Position	
Floppy drive interface enabled	JP1	Pins 1 & 2 closed	
Floppy drive interface disabled	JP1	Pins 2 & 3 closed	
IOCHRDY signal disabled	JP2	Open	
IOCHRDY signal enabled	JP2	Closed	
Parallel port IRQ5 select	JP5	Pins 1 & 2 closed	
Parallel port IRQ7 select	JP5	Pins 2 & 3 closed	
Serial port 2 COM2 (2F8h) select	JP17	Pins 2 & 3 closed	
Serial port 2 COM4 (2E8h) select	JP17	Pins 1 & 2 closed	
Serial port 1 COM1 (3F8h) select	JP18	Pins 2 & 3 closed	
Serial port 1 COM3 (3E8h) select	JP18	Pins 1 & 2 closed	
IDE(AT) secondary interface enabled	JP22	Pins 2 & 3 closed	
IDE(AT) secondary interface disabled	JP22	Pins 1 & 2 closed	
VESA local bus speed 33 Mhz select	JP23	Pins 1 & 2 closed	
VESA local bus speed 50 Mhz select	JP23	Pins 2 & 3 closed	
IDE(AT) interface enabled	JP24	Pins 2 & 3 closed	
IDE(AT) interface disabled	JP24	Pins 1 & 2 closed	

DMA CHANNEL SELECTION		
Channel	JP3	JP4
1	Pins 1 & 2 closed	Pins 1 & 2 closed
3	Pins 2 & 3 closed	Pins 2 & 3 closed

Continued on next page...

PARALLEL PORT ADDRESS SELECTION		
Setting	JP14	JP15
LPT1 (3BCh)	Pins 1 & 2 closed	Pins 1 & 2 closed
LPT2 (378h)	Pins 2 & 3 closed	Pins 1 & 2 closed
LPT3 (278h)	Pins 1 & 2 closed	Pins 2 & 3 closed
Disabled	Pins 2 & 3 closed	Pins 2 & 3 closed

SERIAL PORT 1 INTERRUPT SELECTION								
IRQ	JP6	JP7	JP8	JP9	JP10	JP11	JP12	JP13
IRQ2	Open	Open	2 & 3	Open	Open	Open	Open	Open
IRQ3	2 & 3	Open	Open	Open	Open	Open	Open	Open
IRQ4	Open	2 & 3	Open	Open	Open	Open	Open	Open
IRQ5	Open	Open	Open	2 & 3	Open	Open	Open	Open
IRQ10	Open	Open	Open	Open	2 & 3	Open	Open	Open
IRQ11	Open	Open	Open	Open	Open	2 & 3	Open	Open
IRQ12	Open	Open	Open	Open	Open	Open	2 & 3	Open
IRQ15	Open	Open	Open	Open	Open	Open	Open	2 & 3

Note: Designated pins should be in the closed position.

SERIAL PORT 2 INTERRUPT SELECTION								
IRQ	JP6	JP7	JP8	JP9	JP10	JP11	JP12	JP13
IRQ2	Open	Open	1 & 2	Open	Open	Open	Open	Open
IRQ3	1 & 2	Open	Open	Open	Open	Open	Open	Open
IRQ4	Open	1 & 2	Open	Open	Open	Open	Open	Open
IRQ5	Open	Open	Open	1 & 2	Open	Open	Open	Open
IRQ10	Open	Open	Open	Open	1 & 2	Open	Open	Open
IRQ11	Open	Open	Open	Open	Open	1 & 2	Open	Open
IRQ12	Open	Open	Open	Open	Open	Open	1 & 2	Open
IRQ15	Open	Open	Open	Open	Open	Open	Open	1 & 2

Note: Designated pins should be in the closed position.

PARALLEL PORT MODE SELECTION		
Setting	JP16	JP19
Uni-directional	Pins 1 & 2 closed	Pins 1 & 2 closed
EPP	Pins 1 & 2 closed	Pins 2 & 3 closed
EPP/ECP	Pins 2 & 3 closed	Pins 1 & 2 closed
External floppy disk mode	Pins 2 & 3 closed	Pins 2 & 3 closed

VESA BUS I/O DELAY MODE SELECTION		
Setting	JP20	JP21
PIO mode 0 - 600nsec	Pins 1 & 2 closed	Pins 1 & 2 closed
PIO mode 1 - 500nsec	Pins 2 & 3 closed	Pins 1 & 2 closed
PIO mode 2 - 400nsec	Pins 1 & 2 closed	Pins 2 & 3 closed
PIO mode 3 - 240nsec	Pins 2 & 3 closed	Pins 2 & 3 closed