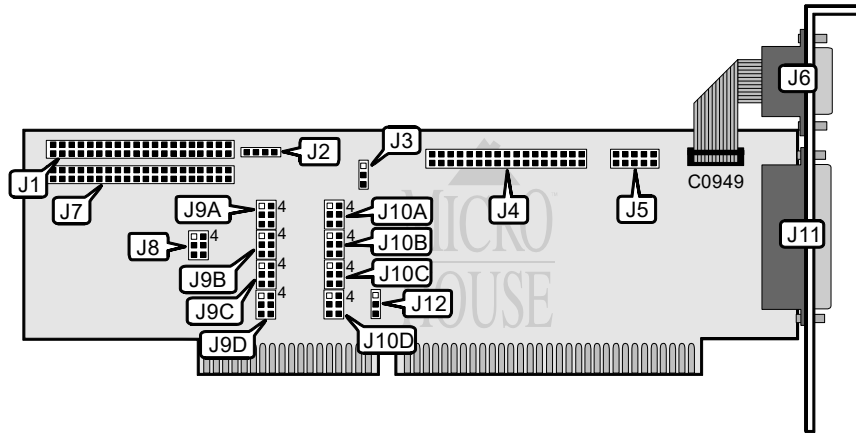


BOCA RESEARCH, INC. IDE500

Q3/96

Data bus: 16-bit ISA
 Size: Three-fourth length, half-height card
 Hard drive supported: Four IDE(AT) drives
 Floppy drives supported: Two 360KB, 720KB, 1.2MB, 1.44MB, or 2.88MB drives



CONNECTIONS	
Function	Location
40-pin primary IDE(AT) connector	J1
4-pin connector - drive active LED	J2
34-pin cable connector - floppy drive	J4
10-pin serial port 2 - internal	J5
9-pin serial port 1 - external	J6
40-pin secondary IDE(AT) connector	J7
25-pin parallel port - external	J11

USER CONFIGURABLE SETTINGS		
Function	Location	Setting
Primary IDE(AT) uses primary address with secondary IDE(AT) disabled	J8	Pins 1 & 2, 4 & 5 closed
Primary IDE(AT) uses secondary address with secondary IDE(AT) disabled	J8	Pins 2 & 3, 5 & 6 closed
Primary IDE(AT) uses primary address and secondary IDE(AT) uses secondary address	J8	Pins 1 & 2, 5 & 6 closed
Primary and secondary IDE(AT) disabled	J8	Pins 2 & 3, 4 & 5 closed

Continued on next page. . .

BOCA RESEARCH, INC.

IDE500

...continued from previous page

USER CONFIGURABLE SETTINGS (CONTINUED)		
Function	Location	Setting
í Floppy drive interface enabled	J3	Pins 1 & 2 closed
Floppy drive interface disabled	J3	Pins 2 & 3 closed
í Serial port 1 is COM1	J9A	Pins 1 & 2, 4 & 5 closed
Serial port 1 is COM2	J9A	Pins 1 & 2, 5 & 6 closed
Serial port 1 is COM3	J9A	Pins 2 & 3, 4 & 5 closed
Serial port 1 disabled	J9A	Pins 2 & 3, 5 & 6 closed
í Serial port 2 is COM2	J9B	Pins 1 & 2, 4 & 5 closed
Serial port 2 is COM1	J9B	Pins 1 & 2, 5 & 6 closed
Serial port 2 is COM4	J9B	Pins 2 & 3, 4 & 5 closed
Serial port 2 disabled	J9B	Pins 2 & 3, 5 & 6 closed
í Serial port 1 IRQ4 select	J9C	Pins 1 & 2 closed
Serial port 1 IRQ3 select	J9C	Pins 4 & 5 closed
Serial port 1 IRQ5 select	J9C	Pins 5 & 6 closed
Serial port 1 IRQ7 select	J9C	Pins 2 & 3 closed
í Serial port 2 IRQ3 select	J9D	Pins 4 & 5 closed
Serial port 2 IRQ4 select	J9D	Pins 1 & 2 closed
Serial port 2 IRQ5 select	J9D	Pins 5 & 6 closed
Serial port 2 IRQ7 select	J9D	Pins 2 & 3 closed
í Parallel port address is 378h	J10A	Pins 1 & 2, 4 & 5 closed
Parallel port address is 278h	J10A	Pins 1 & 2, 5 & 6 closed
Parallel port disabled	J10A	Pins 2 & 3, 4 & 5 closed
í Parallel port is unidirectional	J10B	Pins 1 & 2, 4 & 5 closed
Parallel port EPP mode select	J10B	Pins 1 & 2, 5 & 6 closed
Parallel port ECP mode select	J10B	Pins 2 & 3, 4 & 5 closed
Parallel port IEE1284 mode select	J10B	Pins 2 & 3, 5 & 6 closed
í No DMA channel selected	J10C	Open
DMA channel 1 select (ECP & IEE1284 modes only)	J10C	Pins 1 & 2, 4 & 5 closed
DMA channel 3 select (ECP & IEE1284 modes only)	J10C	Pins 2 & 3, 5 & 6 closed
í Primary IDE(AT) IRQ 14 select	J10D	Pins 1 & 2 closed
Primary IDE(AT) IRQ 15 select	J10D	Pins 2 & 3 closed
Secondary IDE(AT) IRQ 14 select	J10D	Pins 1 & 2 closed
Secondary IDE(AT) IRQ 15 select	J10D	Pins 2 & 3 closed
í Parallel port IRQ7 select	J12	Pins 1 & 2 closed
Parallel port IRQ5 select	J12	Pins 2 & 3 closed