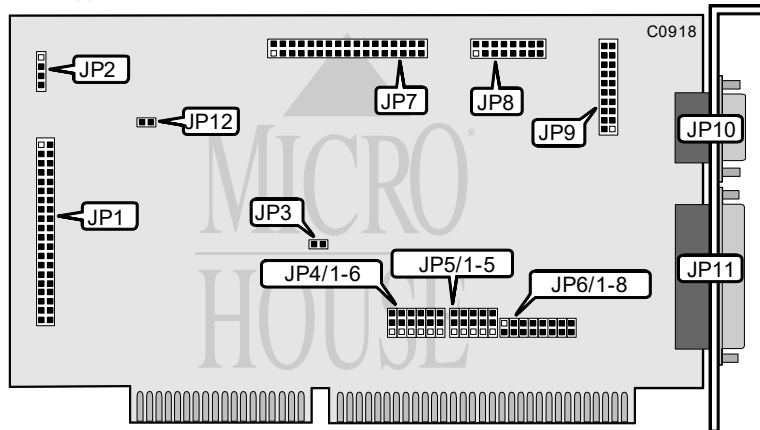


LONGSHINE MICROSYSTEM, INC.
LCS-6624G REV. 2

Q3/96

Data bus: 16-bit ISA
 Size: Half-length, full-height card
 Hard drive supported: Two IDE(AT) drives
 Floppy drives supported: Two 360KB, 720KB, 1.2MB, or 1.44MB drives



CONNECTIONS	
Function	Location
40-pin IDE(AT) connector	JP1
4-pin connector - drive active LED	JP2
34-pin cable connector - floppy drive	JP7
16-pin game port	JP8
10-pin serial port 2 - internal	JP9
9-pin serial port 1 - external	JP10
25-pin parallel port - external	JP11

USER CONFIGURABLE SETTINGS		
Function	Location	Setting
Parallel port is uni-directional	JP3	Closed
Parallel port is bi-directional	JP3	Open
IDE port address is 3F6h, 3F7h; 1F0-1F7h	JP5/1	Pins 2 & 3 closed
IDE port address is 376h, 377h; 170-177h	JP5/1	Pins 1 & 2 closed
Floppy port address is 3F0-3F7h	JP5/2	Pins 2 & 3 closed
Floppy port address is 370-377h	JP5/2	Pins 1 & 2 closed
Floppy drive order is normal (A:, B:)	JP5/3	Pins 1 & 2 closed
Floppy drive order is reversed (B:, A:)	JP5/3	Pins 2 & 3 closed
IDE interface enabled	JP5/4	Pins 1 & 2 closed
IDE interface disabled	JP5/4	Pins 2 & 3 closed

Continued on next page. . .

LONGSHINE MICROSYSTEM, INC.
LCS-6624G REV. 2

...continued from previous page

USER CONFIGURABLE SETTINGS		
Function	Location	Setting
í Floppy drive interface enabled	JP5/5	Pins 1 & 2 closed
Floppy drive interface disabled	JP5/5	Pins 2 & 3 closed
Game port enabled	JP12	Closed
Game port disabled	JP12	Open

PARALLEL PORT ADDRESS SELECTION		
LPT	JP4/4	JP4/5
LPT1 (3BCh)	Pins 1 & 2 closed	Pins 1 & 2 closed
í LPT2 (378h)	Pins 1 & 2 closed	Pins 2 & 3 closed
LPT3 (278h)	Pins 2 & 3 closed	Pins 1 & 2 closed
Disabled	Pins 2 & 3 closed	Pins 2 & 3 closed

Note: LPT1, LPT2 and LPT3 use IRQ 5 or 7.

SERIAL PORT 1 ADDRESS SELECTION		
COM	JP4/1	JP4/2
í COM1 (3F8h) / IRQ4	Pins 1 & 2 closed	Pins 2 & 3 closed
COM3 (3E8h) / IRQ4	Pins 2 & 3 closed	Pins 1 & 2 closed
COM4 (2E8h) / IRQ3	Pins 1 & 2 closed	Pins 1 & 2 closed
Disabled	Pins 2 & 3 closed	Pins 2 & 3 closed

SERIAL PORT 2 ADDRESS SELECTION		
COM	JP4/3	JP4/6
í COM2 (2F8h) / IRQ3	Pins 1 & 2 closed	Pins 2 & 3 closed
COM3 (3E8h) / IRQ4	Pins 1 & 2 closed	Pins 1 & 2 closed
COM4 (2E8h) / IRQ3	Pins 2 & 3 closed	Pins 1 & 2 closed
Disabled	Pins 2 & 3 closed	Pins 2 & 3 closed

Continued on next page...

LONGSHINE MICROSYSTEM, INC.
LCS-6624G REV. 2

...continued from previous page

SERIAL PORT 1 INTERRUPT SELECTION			
IRQ	JP6/1	JP6/2	JP6/3
IRQ3	Open	Closed	Open
í IRQ4	Closed	Open	Open
IRQ5	Open	Open	Closed

SERIAL PORT 2 INTERRUPT SELECTION			
IRQ	JP6/4	JP6/5	JP6/6
í IRQ3	Closed	Open	Open
IRQ4	Open	Closed	Open
IRQ5	Open	Open	Closed

PARALLEL PORT INTERRUPT SELECTION		
IRQ	JP6/7	JP6/8
IRQ5	Open	Closed
í IRQ7	Closed	Open