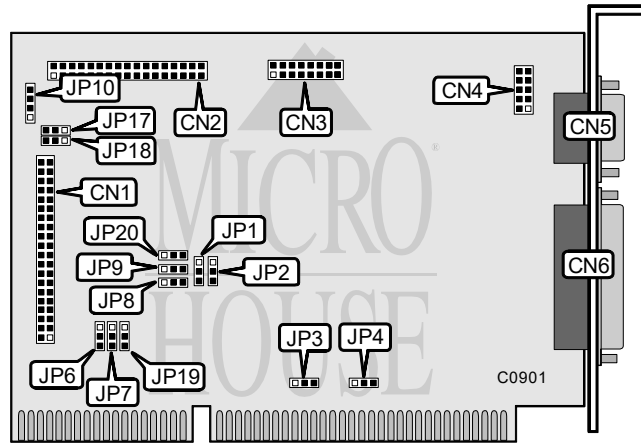


ADVANCED COMPUTER TECHNOLOGY, LTD. MIO-PLUS MK II

Q2/96

Data bus: 16-bit ISA
 Size: Half-length, full-height card
 Hard drive supported: Two IDE(AT) drives
 Floppy drives supported: Two 360KB or 1.2MB drives



CONNECTIONS	
Function	Location
40-pin IDE(AT) connector	CN1
34-pin cable connector - floppy drive	CN2
16-pin game port	CN3
10-pin serial port 2 - internal	CN4
9-pin serial port 1 - external	CN5
25-pin parallel port - external	CN6

USER CONFIGURABLE SETTINGS		
Function	Location	Setting
Serial port 1 IRQ 4 select	JP1	pins 2 & 3 closed
Serial port 1 IRQ 3 select	JP1	pins 1 & 2 closed
Serial port 2 IRQ 3 select	JP2	pins 1 & 2 closed
Serial port 2 IRQ 4 select	JP2	pins 2 & 3 closed
Parallel port IRQ 7 select	JP3	pins 2 & 3 closed
Parallel port IRQ 5 select	JP3	pins 1 & 2 closed
IOCHRDY signal from IDE drive disabled	JP4	pins 2 & 3 closed
IOCHRDY signal from IDE drive enabled	JP4	pins 1 & 2 open
Factory configured - do not alter	JP10	N/A

Continued on next page . . .

ADVANCED COMPUTER TECHNOLOGY, LTD.

MIO-PLUS MK II

...continued from previous page

USER CONFIGURABLE SETTINGS (CONTINUED)		
Function	Location	Setting
Serial port 1 enabled	JP19	pins 1 & 2 closed
Serial port 1 disabled	JP19	pins 2 & 3 closed
Serial port 2 enabled	JP20	pins 1 & 2 closed
Serial port 3 disabled	JP20	pins 2 & 3 closed

PARALLEL PORT ADDRESS SELECTION		
LPT	JP17	JP18
LPT1 (378h)	pins 1 & 2 closed	pins 1 & 2 closed
LPT2 (278h)	pins 2 & 3 closed	pins 1 & 2 closed
Disabled	pins 1 & 2 closed	pins 2 & 3 closed
Disabled	pins 2 & 3 closed	pins 2 & 3 closed

SERIAL PORT 1 ADDRESS SELECTION		
COM	JP6	JP7
COM1(3F8h)	pins 2 & 3 closed	pins 2 & 3 closed
COM2(2F8h)	pins 2 & 3 closed	pins 1 & 2 closed
COM3(3E8h)	pins 1 & 2 closed	pins 2 & 3 closed
COM4(2E8h)	pins 1 & 2 closed	pins 1 & 2 closed

SERIAL PORT 2 ADDRESS SELECTION		
COM	JP8	JP9
COM2(2F8h)	pins 2 & 3 closed	pins 1 & 2 closed
COM1(3F8h)	pins 2 & 3 closed	pins 2 & 3 closed
COM3(3E8h)	pins 1 & 2 closed	pins 2 & 3 closed
COM4(2E8h)	pins 1 & 2 closed	pins 1 & 2 closed