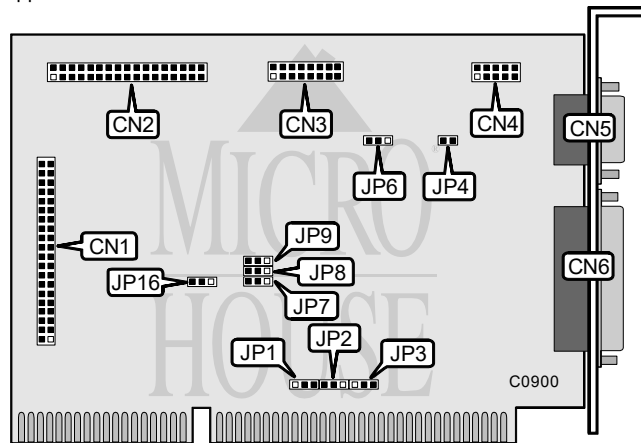


# ADVANCED COMPUTER TECHNOLOGY, LTD. MULTI-I/O CARD

Q2/96

Data bus: 16-bit ISA  
 Size: Half-length, full-height card  
 Hard drive supported: Two IDE(AT) drives  
 Floppy drives supported: Two 360KB or 1.2MB drives



CONNECTIONS	
Function	Location
40-pin IDE(AT) connector	CN1
34-pin cable connector - floppy drive	CN2
16-pin game port	CN3
10-pin serial port 2 - internal	CN4
9-pin serial port 1 - external	CN5
25-pin parallel port - external	CN6

USER CONFIGURABLE SETTINGS		
Function	Location	Setting
Serial port 1 IRQ 4 select	JP1	pins 2 & 3 closed
Serial port 1 IRQ 3 select	JP1	pins 1 & 2 closed
Serial port 2 IRQ 3 select	JP2	pins 1 & 2 closed
Serial port 2 IRQ 4 select	JP2	pins 2 & 3 closed
Parallel port IRQ 7 select	JP3	pins 2 & 3 closed
Parallel port IRQ 5 select	JP3	pins 1 & 2 closed
Factory configured - do not alter	JP4	N/A
IRQ 14 buffering disabled	JP16	pins 2 & 3 closed
IRQ 14 buffering enabled	JP16	pins 1 & 2 closed

Continued on next page . .

ADVANCED COMPUTER TECHNOLOGY, LTD.  
MULTI-I/O CARD

...continued from previous page

PARALLEL PORT ADDRESS SELECTION		
LPT	JP6	JP9
i LPT1 (378h)	pins 1 & 2 closed	pins 1 & 2 closed
LPT2 (278h)	pins 1 & 2 closed	pins 2 & 3 closed
Disabled	pins 2 & 3 closed	pins 1 & 2 closed
Disabled	pins 2 & 3 closed	pins 2 & 3 closed

SERIAL PORTS ADDRESS SELECTION		
COM	JP7	JP8
i COM1(3F8h) / COM2(2F8h)	pins 1 & 2 closed	pins 1 & 2 closed
COM2(2F8h) / COM3(2E8h)	pins 2 & 3 closed	pins 1 & 2 closed
COM3(2E8h) / COM4(2E0h)	pins 1 & 2 closed	pins 2 & 3 closed
Disabled	pins 2 & 3 closed	pins 2 & 3 closed