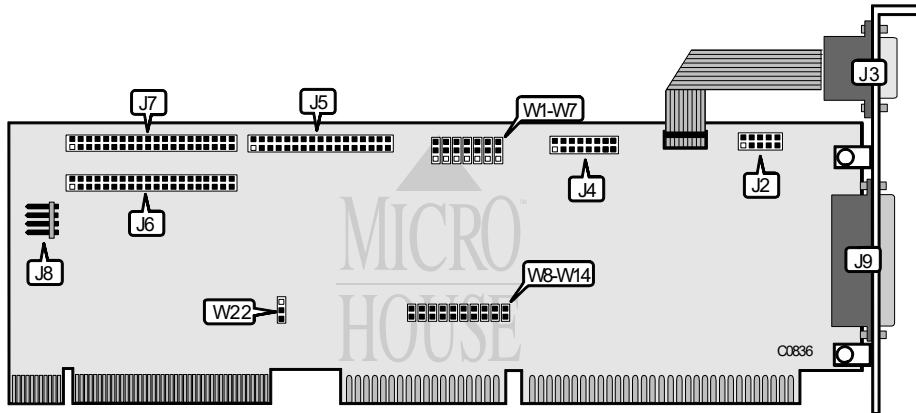


DATA TECHNOLOGY CORPORATION
DTC 2278E (400516-89A)

Q4/95

Data bus: 32-bit VL-Bus
 Size: Three-quarter-length, half-height card
 Hard drive supported: Two IDE(AT) or EIDE interface drives
 Floppy drives supported: Two 360KB, 720KB, 1.2MB, 1.44MB drives



CONNECTIONS	
Function	Location
10-pin serial port 2 - internal	J2
9-pin serial port 1 - external	J3
16-pin game port	J4
34-pin cable connector - floppy drive	J5
40-pin connector - secondary IDE(AT) interface	J6
40-pin connector - primary IDE(AT) interface	J7
4-pin connector - drive active LED	J8
25-pin parallel port - external	J9

USER CONFIGURABLE SETTINGS		
Function	Location	Setting
i Game port enabled	W14	closed
Game port disabled	W14	open

PARALLEL PORT INTERRUPT		
IRQ	W 12	W 13
i IRQ7	open	closed
IRQ5	closed	open

Continued on next page . . .

DATA TECHNOLOGY CORPORATION

DTC 2278E

... continued from previous page

PARALLEL PORT ADDRESS SELECTION		
LPT	W1	W2
í LPT1 (378h)	pins 2 & 3 closed	pins 1 & 2 closed
LPT2 (278h)	pins 1 & 2 closed	pins 2 & 3 closed
LPT3 (3BCh)	pins 2 & 3 closed	pins 2 & 3 closed
Disabled	pins 1 & 2 closed	pins 1 & 2 closed

SERIAL PORT 1 ADDRESS SELECTION		
COM	W5	W6
í COM1 (3F8h)	pins 1 & 2 closed	pins 2 & 3 closed
COM3 (3E8h)	pins 2 & 3 closed	pins 1 & 2 closed
COM4 (2E8h)	pins 2 & 3 closed	pins 2 & 3 closed
Disabled	pins 1 & 2 closed	pins 1 & 2 closed

Note: COM1 & COM3 are automatically configured to IRQ4.
COM2 & COM4 are automatically configured to IRQ3.

SERIAL PORT 2 ADDRESS SELECTION		
COM	W3	W4
í COM2 (2F8h)	pins 1 & 2 closed	pins 2 & 3 closed
COM3 (3E8h)	pins 2 & 3 closed	pins 2 & 3 closed
COM4 (2E8h)	pins 2 & 3 closed	pins 1 & 2 closed
Disabled	pins 1 & 2 closed	pins 1 & 2 closed

Note: COM1 & COM3 are automatically configured to IRQ4.
COM2 & COM4 are automatically configured to IRQ3.

PARALLEL PORT MODE CONFIGURATION		
Mode	W7	W22
í Printer	pins 2 & 3 closed	pins 2 & 3 closed
ECP	pins 2 & 3 closed	pins 1 & 2 closed
EPP	pins 1 & 2 closed	pins 2 & 3 closed

Note: You must select a DMA channel when using ECP mode.

DMA SELECTION				
Channel	W8	W9	W10	W11
1	closed	open	closed	open
3	open	closed	open	closed

MISCELLANEOUS TECHNICAL NOTES
The floppy controller is automatically configured: When a cable is attached, it is enabled, when no cable is attached it is disabled.