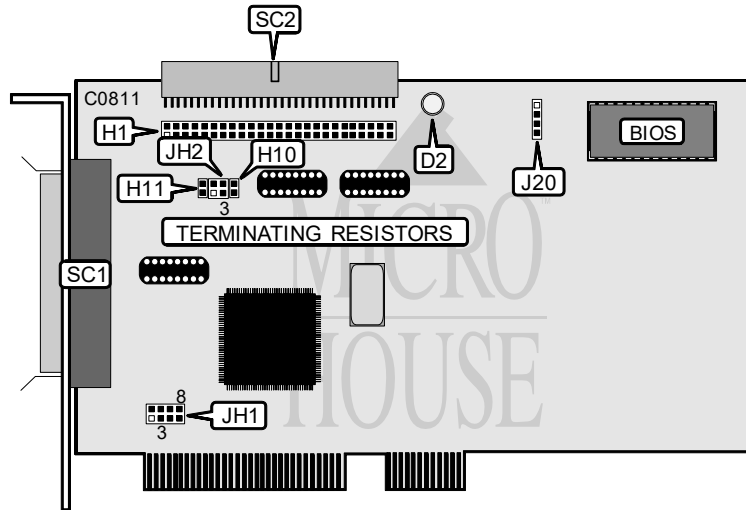


# TYAN COMPUTER CORPORATION S1365 (Rev. 1.1)

Q3/95

Data bus: 32-bit PCI  
 Size: Half-length, Full-height card  
 Hard drive supported: Up to fifteen SCSI drives  
 Floppy drives supported: None



CONNECTIONS	
Function	Location
50-pin SCSI connector - internal	H1
4-pin connector - drive active LED	J20
50-pin SCSI connector - external	SC1
68-pin SCSI connector - internal	SC2

Continued on next page. . .

# TYAN COMPUTER CORPORATION

## S1365 (Rev. 1.1)

...continued from previous page

USER CONFIGURABLE SETTINGS		
Function	Location	Setting
SCSI active terminator enable/disable through software	H10	closed
SCSI active terminator not enabled/disabled through software	H10	open
Wide portion of terminator enable/disable through software	H11	closed
Wide portion of terminator not enabled/disabled through software	H11	open
Manual active on-board terminator disabled	JH2/pins 1 & 2	closed
Manual active on-board terminator enabled	JH2/pins 1 & 2	open
Manual active on-board wide portion terminator disabled	JH2/pins 3 & 4	closed
Manual active on-board wide portion terminator enabled	JH2/pins 3 & 4	open

PCI INTERRUPT LINE SELECTION	
INT	JH1
A	pins 1 & 2 closed
B	pins 3 & 4 closed
C	pins 5 & 6 closed
D	pins 7 & 8 closed