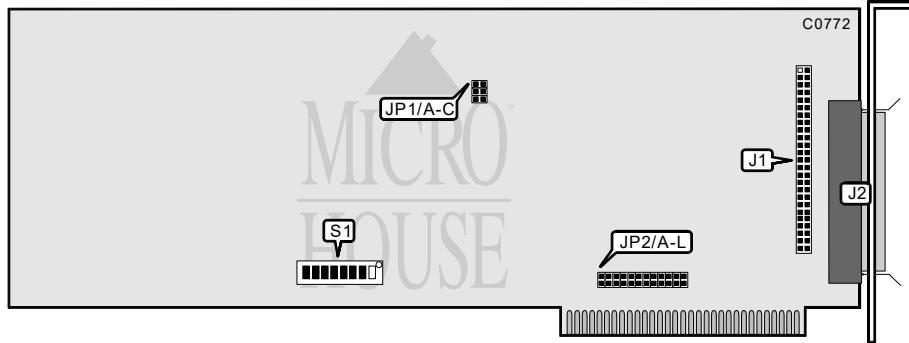


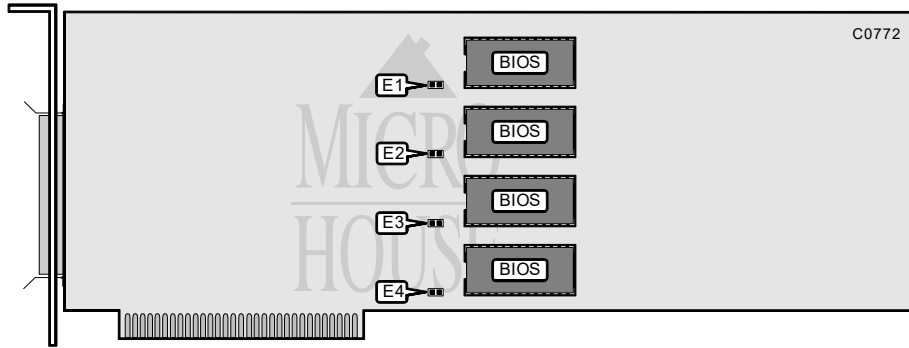
RANCHO TECHNOLOGY, INC.  
RT2003-PC

Q2/95

Data bus: 8-bit, ISA  
 Size: Full-length, full-height card  
 Hard drive supported: Up to seven SCSI devices  
 Floppy drives supported: None



CONNECTIONS	
Function	Location
50-pin SCSI connector-internal	J1
50-pin SCSI connector-external	J2



PCB SOLDER SIDE

Continued on next page . . .

RANCHO TECHNOLOGY, INC.  
RT2003-PC

... continued from previous page

BIOS ROM							
Type	JP1/A	JP1/B	JP1/C	E1	E2	E3	E4
2716	open	open	closed	open	open	open	open
2732	open	closed	open	closed	closed	closed	closed
2764	closed	open	open	closed	closed	closed	closed

INTERRUPT SELECT - JP2						
IRQ	Jumper A	Jumper B	Jumper C	Jumper D	Jumper E	Jumper F
IRQ2	closed	open	open	open	open	open
IRQ3	open	closed	open	open	open	open
IRQ4	open	open	closed	open	open	open
IRQ5	open	open	open	closed	closed	open
IRQ6	open	open	open	open	closed	open
IRQ7	open	open	open	open	closed	closed

DMA CHANNEL SELECT - JP2						
Channel	Jumper G	Jumper H	Jumper I	Jumper J	Jumper K	Jumper L
DMA1	closed	open	open	closed	open	open
DMA2	open	closed	open	open	closed	open
DMA3	open	open	closed	open	open	closed

I/O ADDRESS								
Address	S1/1	S1/2	S1/3	S1/4	S1/5	S1/6	S1/7	S1/8
300h	on	on	on	on	on	on	off	off
320h	on	on	on	off	on	on	off	off
324	off	on	on	off	on	on	off	off
328	on	off	on	off	on	on	off	off
32C	off	off	on	off	on	on	off	off