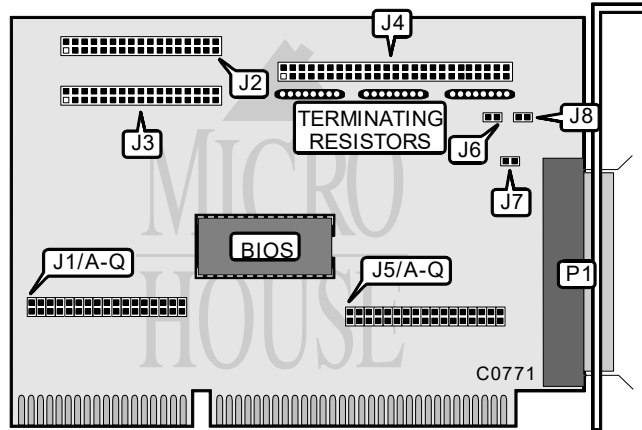


**RANCHO TECHNOLOGY, INC.**  
**RT1600**

Q2/95

Data bus: 16-bit, ISA  
 Size: Half-length, full-height card  
 Hard drive supported: Up to seven SCSI devices  
 Floppy drives supported: Four 360KB, 720KB, 1.2MB, or 1.44MB drives



CONNECTIONS	
Function	Location
34-pin control cable connector - floppy drive 0	J2
34-pin control cable connector - floppy drive 1	J3
50-pin SCSI connector-internal	J4
50-pin SCSI connector-external	P1
2-pin connector - chassis ground	J7
2-pin connector - drive active LED	J5/jumper O
2-pin connector - drive active LED	J5/jumper P

USER CONFIGURABLE SETTINGS		
Function	Location	Setting
í Factory configured - do not alter	J1/jumper B	open
í Factory configured - do not alter	J1/jumper E	open
í Factory configured - do not alter	J1/jumper G	open
í Factory configured - do not alter	J1/jumper H	open
í Factory configured - do not alter	J1/jumper I	open
í Factory configured - do not alter	J1/jumper J	open
í Factory configured - do not alter	J1/jumper K	open
í Factory configured - do not alter	J1/jumper E	open

Continued on next page . . .

**RANCHO TECHNOLOGY, INC.**  
**RT1600**

... continued from previous page

USER CONFIGURABLE SETTINGS		
Function	Location	Setting
í Factory configured - do not alter	J1/jumper O	open
í Factory configured - do not alter	J1/jumper Q	open
BIOS installed	J5/jumper A	closed
BIOS not installed	J5/jumper A	open
í Floppy drive enabled	J5/jumper B	closed
Floppy drive disabled	J5/jumper B	open
í ATA disabled	J5/jumper C	closed
ATA enabled	J5/jumper C	open
í I/O address = 330h	J5/jumper D	open
I/O address = 230h	J5/jumper D	closed
í Factory configured - do not alter	J5/jumper G	closed
í Factory configured - do not alter	J5/jumper H	closed
í SCSI active termination enabled	J5/jumper I	closed
SCSI active termination disabled	J5/jumper I	open
í Factory configured - do not alter	J5/jumper J	open
í PIO data transfer mode enabled	J5/jumper K	closed
DMA data transfer mode enabled	J5/jumper K	open
Zero wait state enabled	J5/jumper Q	closed
Zero wait state disabled	J5/jumper Q	open
í Remote terminator power disabled	J6	open
Remote terminator power enabled	J6	closed
í Current back-flow diode CR1 enabled	J8	open
Current back-flow diode CR1 disabled	J8	closed

DMA CHANNEL					
DMA	J1/jumper A	J1/jumper C	J1/jumper D	J1/jumper F	J5/jumper L
í DMA5	closed	open	closed	open	closed
DMA7	open	closed	open	closed	open
Disabled	open	open	open	open	n/a

INTERRUPT REQUEST						
IRQ	J1/L	J1/M	J1/N	J1/P	J5/M	J5/N
í IRQ1 0	closed	open	open	open	open	open
IRQ1 1	open	closed	open	open	closed	closed
IRQ1 2	open	open	closed	open	open	closed
IRQ1 5	open	open	open	closed	closed	open

*Continued on next page . . .*

RANCHO TECHNOLOGY, INC.  
RT1600

... continued from previous page

MEMORY ADDRESS - J5		
Address	Jumper E	Jumper F
C800h	open	open
D800h	closed	open