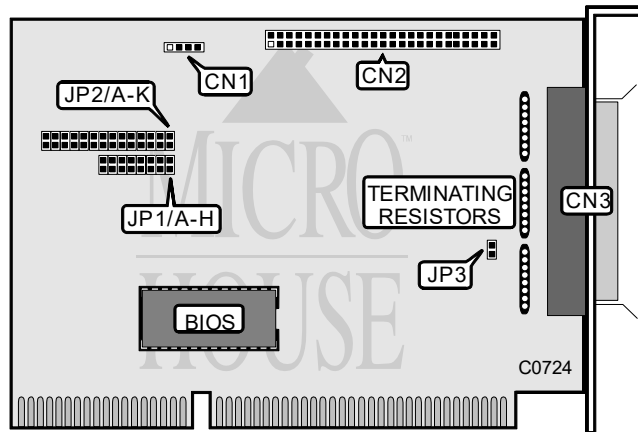


TANDON CORPORATION SPHINX

Q1/95

Data bus: 16-bit, ISA
 Size: Half-length, full-height card
 Hard drive supported: Up to seven SCSI devices
 Floppy drives supported: None



CONNECTIONS	
Function	Location
4-pin connector - drive active LED	CN1
50-pin SCSI 2 connector - internal	CN2
50-pin SCSI 2 connector - external	CN3

USER CONFIGURABLE SETTINGS			
	Function	Location	Setting
i	Factory configured - do not alter	JP1/jumper F	open
	Factory configured - do not alter	JP1/jumper G	open
	Factory configured - do not alter	JP1/jumper H	open
i	Zero wait state disabled	JP2/jumper F	open
i	Zero wait state enabled	JP2/jumper F	closed
i	Factory configured - do not alter	JP2/jumper J	N/A
i	8KB BIOS installed	JP2/jumper K	open
	16KB BIOS installed	JP2/jumper K	closed
i	TERMPWR enabled	JP3	closed
	TERMPWR disabled	JP3	open

Continued on next page . . .

**TANDON CORPORATION
SPHINX**

... continued from previous page

INTERRUPT SELECT - JP1 & JP2					
IRQ	Jumpers A	Jumpers B	Jumpers C	Jumpers D	Jumpers E
IRQ5	both closed	both open	both open	both open	both open
IRQ10	both open	both closed	both open	both open	both open
IRQ11	both open	both open	both closed	both open	both open
IRQ12	both open	both open	both open	both closed	both open
IRQ14	both open	both open	both open	both open	both closed

BIOS ADDRESS - JP2			
Address	Jumper G	Jumper H	Jumper I
i CD00h	open	open	closed
C800h	closed	open	open
CC00h	closed	open	closed
D000h	closed	closed	open
D400h	closed	closed	closed
D800h	open	open	open