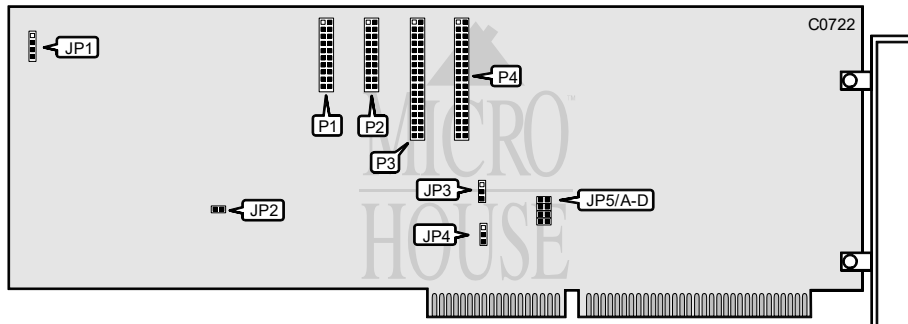


TANDON CORPORATION ARC

Q1/95

Data bus: 16-bit, ISA
 Size: Full-length, full-height card
 Hard drive supported: Two RLL ST506/412 drives
 Floppy drives supported: Two 360KB, 720KB, 1.2MB or 1.44MB drives



CONNECTIONS	
Function	Location
4-pin connector - drive active LED	JP1
20-pin data cable connector - drive 2	P1
20-pin data cable connector - drive 1	P2
34-pin control cable connector - hard drive	P3
34-pin control cable connector - floppy drive	P4

USER CONFIGURABLE SETTINGS			
Function	Location	Setting	
i Factory configured - do not alter	JP2	open	
i Primary floppy address selected	JP3	pins 1 & 2 closed	
Secondary floppy address selected	JP3	pins 2 & 3 closed	
16/32KB BIOS installed	JP4	pins 1 & 2 closed	
8KB BIOS installed	JP4	pins 2 & 3 closed	

BIOS ADDRESS - JP5				
Address	Jumper A	Jumper B	Jumper C	Jumper D
i C8000h	open	closed	open	open
C0000h	closed	open	open	open
D0000h	open	open	closed	open
D8000h	open	open	open	closed