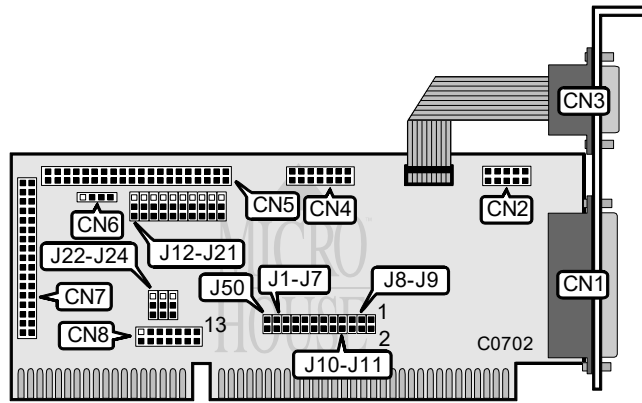


TYAN COMPUTER CORPORATION S1372 (REV. 1.0)

Q1/95

Data bus: 16-bit, ISA
 Size: Half-length, half-height card
 Hard drive supported: Two IDE (AT) interface drives
 Floppy drives supported: Two 360KB, 720KB, 1.2MB, 1.44MB, or 2.88MB drives



CONNECTIONS		
Function	Location	
25-pin parallel port	CN1	
10-pin serial port 2 - internal	CN2	
9-pin serial port 1 - external	CN3	
Game port	CN4	
40-pin IDE (AT) Interface connector	CN5	
34-pin control cable connector - floppy drive	CN6	
4-pin connector - drive active LED	CN7	
14-pin connector - Custom IRQ Header	CN8	

USER CONFIGURABLE SETTINGS			
Function	Location	Setting	
i Game port enabled	J6	closed	
	J6	open	
i IDE IRQ14 enabled	J22	pins 2 & 3 closed	
	J22	pins 1 & 2 closed	
i Factory configured - do not alter	J50	n/a	

SERIAL PORT 1 CONFIGURATION			
COM/Address	J14	J15	
i C)M1/3F8h	pins : & 3 closed	pins : & 3 closed	
C)M2/2F8h	pins : & 3 closed	pins : & 2 closed	

Continued on next page . . .

TYAN COMPUTER CORPORATION
S1372 (REV. 1.0)

... continued from previous page

SERIAL PORT 1 CONFIGURATION			
COM/Address		J14	J15
COM3/3E8h	pins :	& 2 closed	pins : & 3 closed
Disabled	pins :	& 2 closed	pins : & 2 closed

SERIAL PORT 2 CONFIGURATION			
COM/Address		J16	J17
COM2/2F8h	pins :	& 3 closed	pins : & 3 closed
COM1/3F8h	pins :	& 3 closed	pins : & 2 closed
COM4/2E8h	pins :	& 2 closed	pins : & 3 closed
Disabled	pins :	& 2 closed	pins : & 2 closed

SERIAL PORTS 1 & 2 INTERRUPT SELECT					
Port 1	Port 2	J1	J2	J3	J4
IRQ4	IRQ3	open	closed	closed	open
IRQ4	Disabled	open	closed	open	open
Disabled	IRQ3	open	open	closed	open
IRQ3	IRQ4	open	J2 pin 1 to J3 pin 1 closed, and J2 pin 2 to J3 pin 2 closed		Open
IRQ3	Disabled	open	J2 pin 1 to J3 pin 1 closed		Open
Disabled	IRQ4	open	J2 pin 2 to J3 pin 2 closed		Open
IRQ5	IRQ3	open	closed	J3 pin 2 to J4 pin 2 closed	
IRQ5	Disabled	open	open	J3 pin 2 to J4 pin 2 closed	
IRQ4	IRQ5	J1 pin 2 to J2 pin 2 closed		closed	open
Disabled	IRQ5	J1 pin 2 to J2 pin 2 closed		open	open

PARALLEL PORT CONFIGURATION			
LPT/Address		J18	J19
LPT1/378h	pins :	& 3 closed	pins : & 3 closed
LPT2/278h	pins :	& 3 closed	pins : & 2 closed
LPT3/3BCh	pins :	& 2 closed	pins : & 2 closed
Disabled	pins :	& 2 closed	pins : & 3 closed

PARALLEL PORT INTERRUPT SELECT		
IRQ	J4	J5
IRQ7	open	closed
IRQ5	closed	open
Disabled	open	open

Continued on next page ...

TYAN COMPUTER CORPORATION

S1372 (REV. 1.0)

... continued from previous page

ADVANCED PARALLEL PORT FUNCTIONS		
Setting	J23	J24
Standard PRN mode only enabled	pins : 2 & 3 closed	pins : 2 & 3 closed
ECP, EPP and PRN modes enabled	pins : 1 & 2 closed	pins : 1 & 2 closed
EPP and PRN modes enabled	pins : 1 & 2 closed	pins : 2 & 3 closed
ECP and PRN modes enabled	pins : 2 & 3 closed	pins : 1 & 2 closed

Note: ECP = Extended Capabilities Mode, EPP = Enhanced Parallel Port.

EXTENDED CAPABILITIES PORT (ECP) DMA SELECT					
DMA	J7	J8	J9	J10	J11
Disabled	open	open	open	open	open
DMA1	closed	open	open	closed	closed
DMA3	closed	closed	closed	open	open

Note: DMA3 is the preferred setting when the ECP mode is enabled.

FLOPPY DRIVE CONFIGURATION		
Address	J12	J13
3F0h	pins : & 3 closed	pins : & 2 closed
370h	pins : & 2 closed	pins : & 2 closed
Disabled	N/A	pins : & 3 closed

IDE PORT CONFIGURATION		
Address	J20	J21
1F0h	pins : & 3 closed	pins : & 3 closed
170h	pins : & 2 closed	pins : & 3 closed
Disabled	N/A	pins : & 2 closed

MISCELLANEOUS TECHNICAL NOTES
CN8 is used to configure the card to comply with the PCI IDE Legacy convention. A special cable is required to connect to applicable hard drives.